



ACME ENGINEERING & MANUFACTURING CORP.

P.O. Box 978 Muskogee, OK 74402

918/682-7791 Fax: 918/682-0134

www.acmeag.com www.acmehort.com

acmeag@acmefan.com acmehort@acmefan.com

Form 610677

July 2005

OWNERS MANUAL INSTALLATION INSTRUCTIONS

MODEL OTC 6" Kool-Cel® Open Top Plastic Cooling System

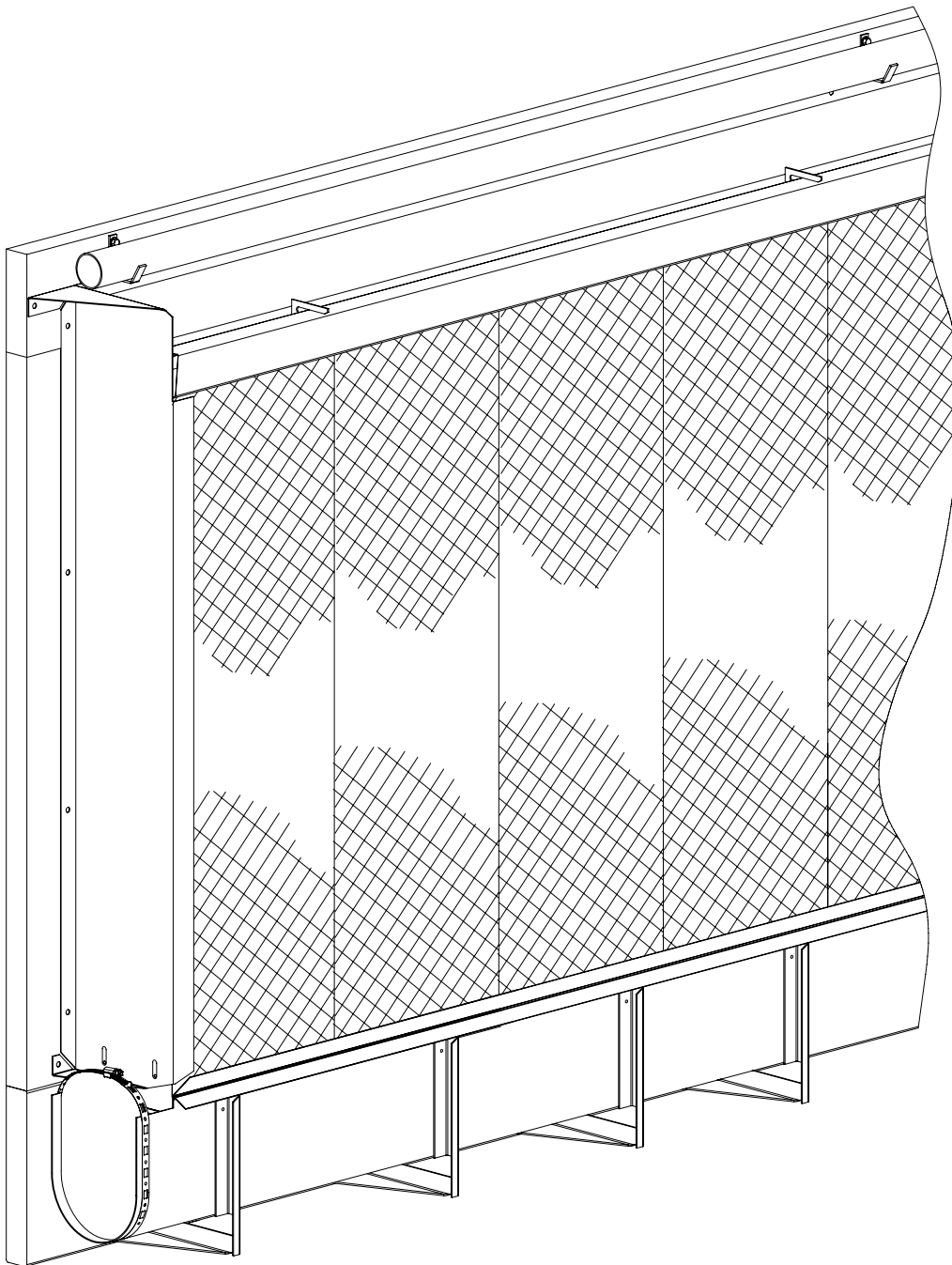


TABLE OF CONTENTS

Section	Page
I. Components	2
II. Building Preparation	2-4
III. Installation of System	4-10
IV. Plumbing Installation	11
V. Exploded Drawing of System Plumbing	12
VI. 8" PVC Transition Pump Tank (Optional)	13
VII. PT50-OTP 50 Gallon Pump Tank Kit (Optional)	13
VIII. Start Up and Testing	14
IX. Maintenance	14-15
X. Pad Care	15
Warranty	16

I. Components

A. Standard Kool-Cel components provided by Acme:

1. Kool-Cel pads 6" x 12" x 24", 36", 48", 60" or 72" .
2. Water Pump.
3. Distribution and return system. Available in 5' systems to 80' systems. Includes distribution pipe, top assembly, pad support assembly, pipe gutter, and support brackets.
4. Plumbing Kit.

B. Optional Kool-Cel Components provided by Acme upon request:

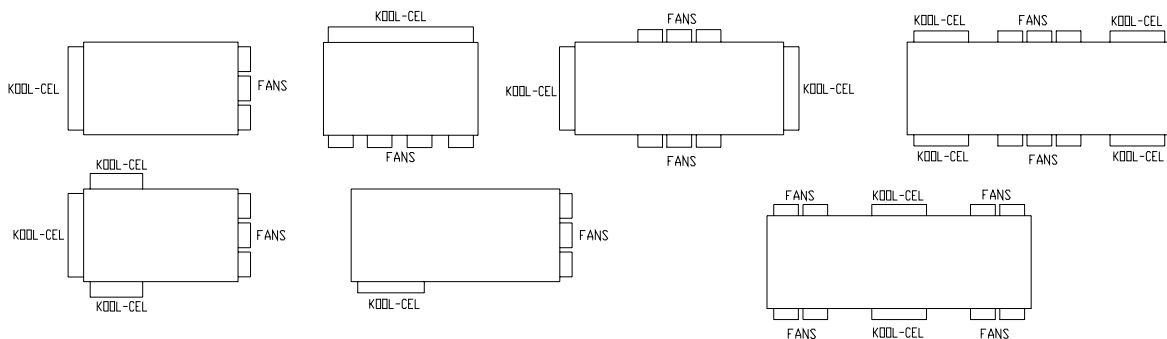
1. End Cover Package.
2. Water Valves with Float Control.
3. 8" PVC Transition Pump Tank
4. PT50-OTP 50 Gallon Pump Tank Kit.

C. Provided By Owner or Others:

- Framing material.
- Sump Tank, drain and cover.
- Water Supply to float valve.
- Return pipe from downspout to sump and filter.

II. Building Preparation:

A. Location of Pad System: Typical Pad/Fan Relative Locations.



The Kool-Cel pad should be placed away from the fans (opposite) so that the cooled air can flow through the building without turbulence as shown in Figure 1. Pads should be no more than 250' from the fans in greenhouse buildings to avoid excessive temperature rise and velocities.

In a **greenhouse**, the top of the pad should be near the top of the crop or have its midpoint centered on the midpoint of the crop.

In **poultry and livestock** installations, the pad is generally placed on the outside of the building so that the top of the pad is not below the highest desired level. An eave extending beyond the OTC system is recommended.

B. Framed Opening and Sizes

Note: The side wall structural members should be left intact as shown in Figure 2.

C. Stringers – The framing and support stringers could be any type of material (metal channels, square tubing, treated wood, etc.). The design should provide a flat surface for mounting support brackets and the lower stringer should be capable of carrying a load of 4.11 lbs. per sq. ft. of pad. All framing in this manual refers to treated wood. The framed opening must be vertical and square for proper installation of the system. The use of a chalk line during stringer installation will aid in keeping the system square.

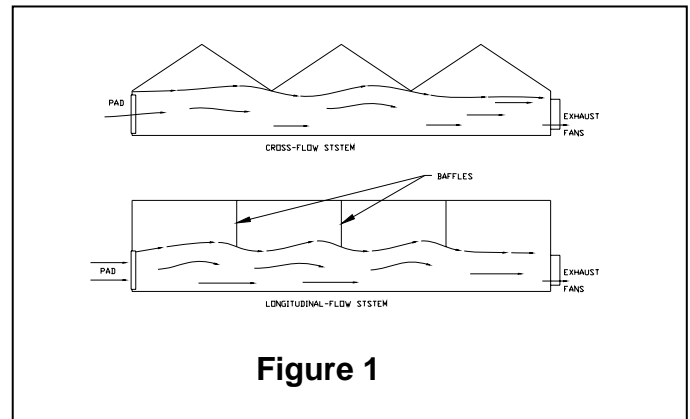
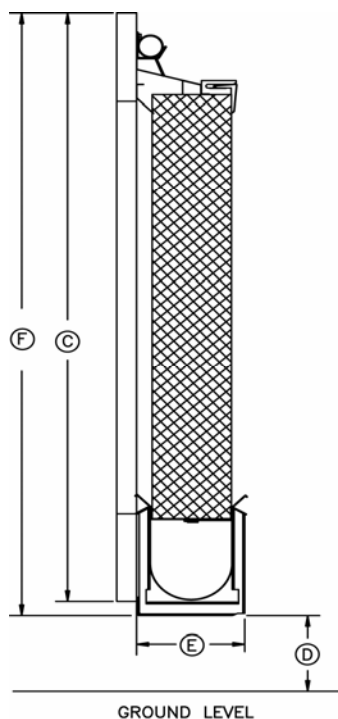
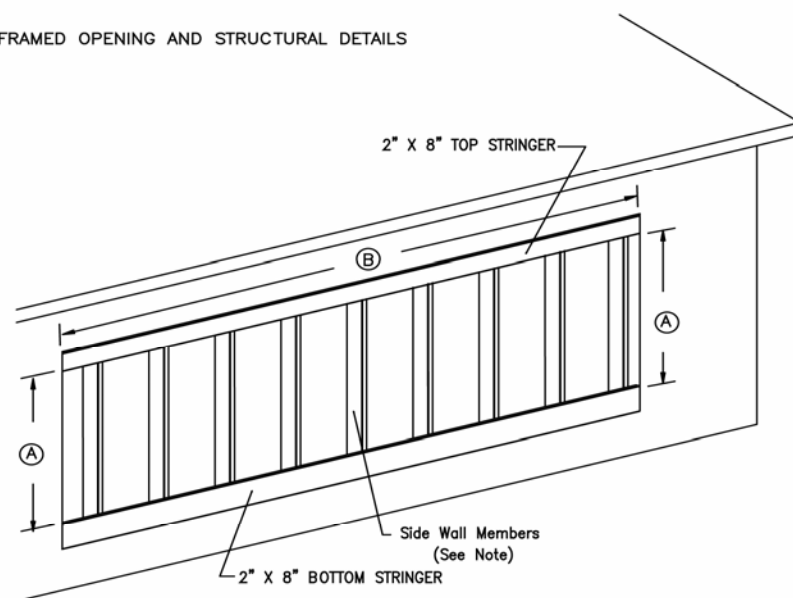


Figure 1



FRAMED OPENING AND STRUCTURAL DETAILS



THE CLEAR OPENING FOR THE PAD SYSTEM IS:
 A. (Vertical)=Ordered pad height.
 B. (Horizontal)=Ordered pad length.

THE OVERALL HEIGHT OF THE SYSTEM:
 C. =Ordered pad height plus 15".
 D. =Standard: 7 1/2" for standard continuous tank.
 E. =8 1/8" Typical.
 F. = Ordered pad height + 16 1/4.

Figure 2
 (Framed Opening Layout)

D. Sump Tank and Cover – Provide a tank with a capacity of 1 gallon per square foot of pad area for 6” pads. A tank cover should be provided capable of supporting the pump (#30 – 35 lbs., #60 – 50lbs.). The sump should be set in place prior to start of the installation of the distribution and return system.

E. Optional 8" PVC Transition Pump Tank – See Page 13.

III. System Installation

After installing all framing materials, the Kool-Cel distribution and return system will go together simply and quickly following the instructions step by step.

HINTS:

Framing -If framing is not properly installed as shown in the Installation Instructions, the system will not operate properly. Refer to Section II.B. and Figure 1 to verify the framing has been installed accurately.

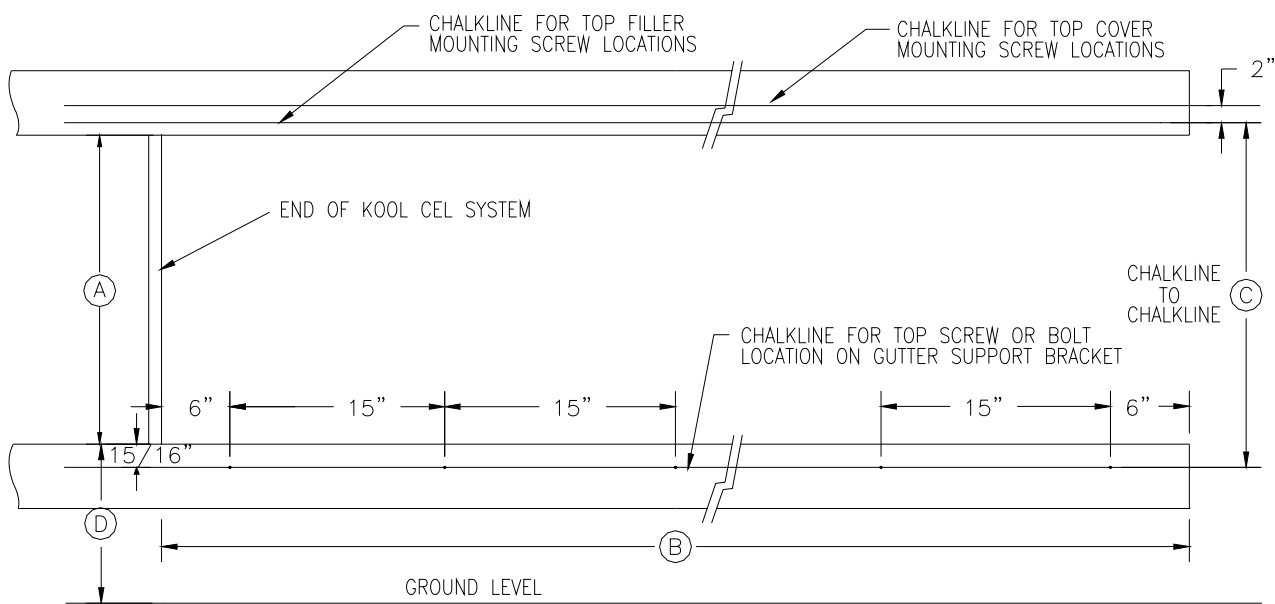
Caulking - Where the installation instructions refer to caulking, use the Butylgrip caulking supplied with the OTC Kool-Cel System unless otherwise specified.

Packages - Place all cartons in the area of installation and open the top of the cartons. **Do not remove the material until needed.** NOTE: The packing slips and Installation and Maintenance Instructions should be retained for future reference.

A. Gutter Installation

1. Pipe Support Bracket

- A) To locate the gutter support bracket position on the bottom stringer for the continuous gutter, refer to chalk line shown in Figure 3. The chalk line should be 15/16” down from the top of the bottom stringer and run its full length. The chalk line will be used to locate the top hole position of the brackets. Hole spacing is shown in Figure 3 and Figure 4.



- A= Ordered Pad Height.
- B= Ordered Pad Length
- C= Ordered Pad Height in Figure 4 making sure bracket is on the chalk line.
- D= Minimum dimension in 1 1/2" for continuous tank. (Ground level to top of lower stringer.)

Figure 3

WARNING FOR TREATED LUMBER

The new ACQ treated wood should be used with Hot Dip Galvanized coated fasteners or Stainless Steel fasteners. Aluminum should not be used in contact with ACQ treated wood. All galvanized electroplated metal should be isolated from the treated wood by builders felt and fastened with approved fasteners.

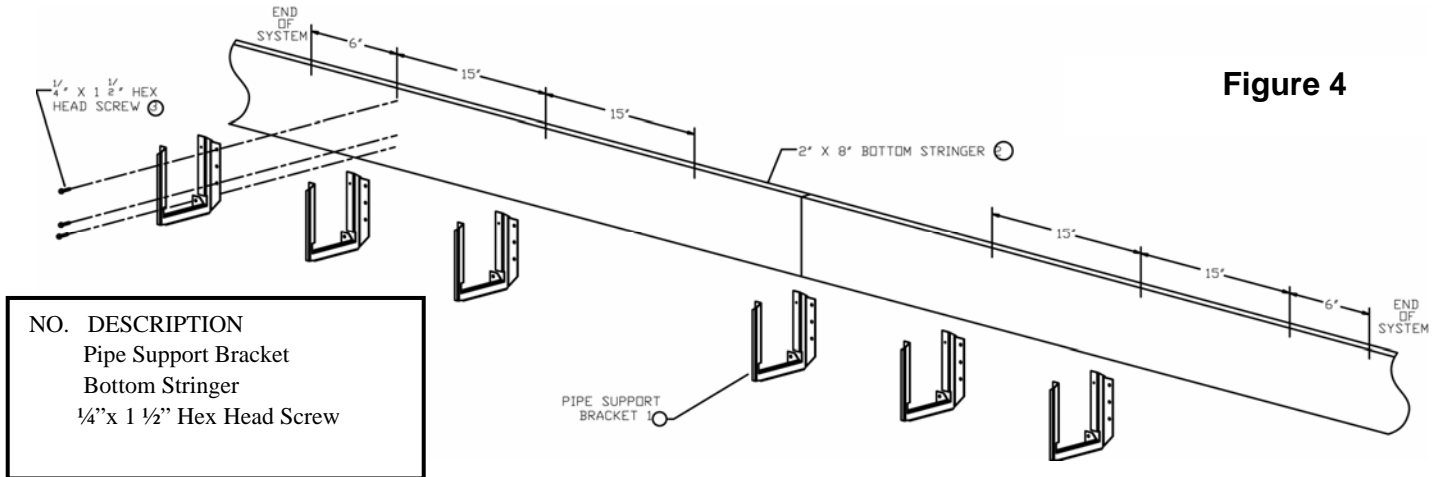


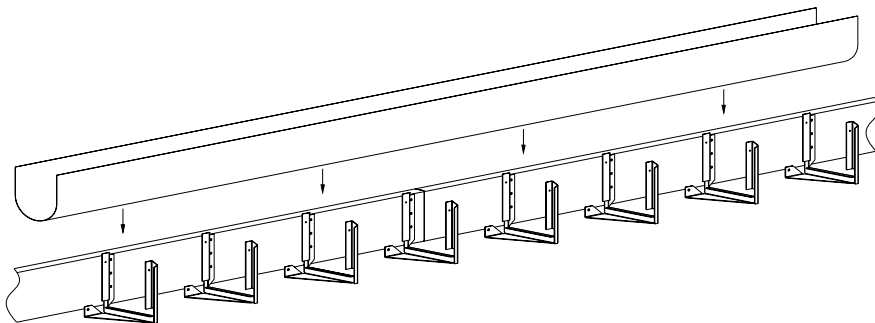
Figure 4

NO.	DESCRIPTION
1	Pipe Support Bracket
2	Bottom Stringer
3	1/4" x 1 1/2" Hex Head Screw

2. Gutter Installation

- A) Locate the gutter and lay it out along the length of the framed opening.
- B) Start the installation of the gutter by placing the gutter into the brackets as shown in Figure 5.

Figure 5



- C) Locate the screw guides as shown in Figure 7. These should be in the same carton as the gutter.

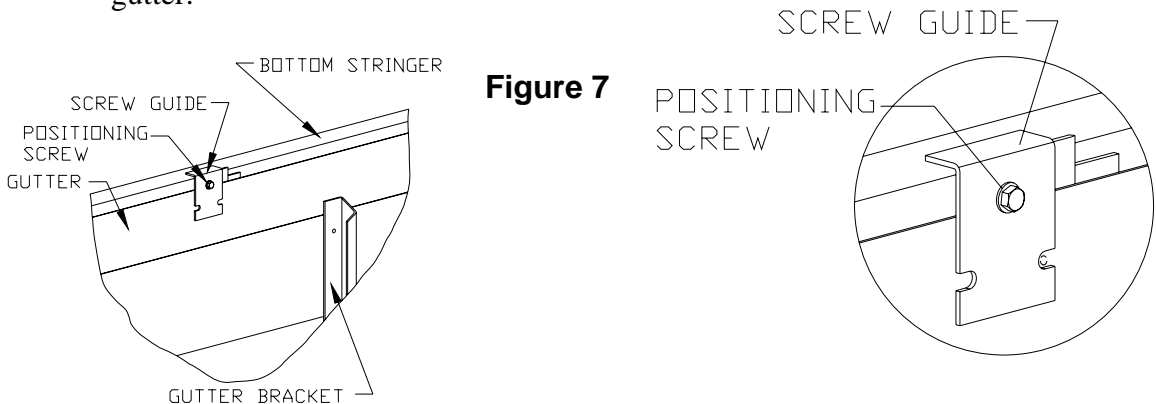


Figure 6

Figure 7

- D) The screw guide is used to position the gutter in relation to the top of the bracket and align the screws with the screw hole in the bracket as shown in Figure 6 and 8.
- E) Begin the process of attaching the gutter to the gutter bracket by placing the screw guide on the bracket as shown in Figure 7 with the lip of the screw guide on top of the gutter bracket and the positioning screw against the edge of the gutter bracket. This will place the slot in the screw guide over the pilot hole in the bracket as shown in Figure 7.
- F) Pull the gutter material toward the top of the bracket until it touches the positioning screw in the screw guide. This will place the gutter in the proper position relative to the top of the gutter bracket. Secure the gutter in position by screwing through the gutter material into the pilot hole in the gutter bracket using the #10 x ¾ rubber washer head screws provided. Note: Remove the screw guide after the screw is started in the pilot hole of the bracket.
- G) Continue the installation of the gutter by attaching the gutter material to both sides of the gutter brackets as stated in item F above.
- H) Locate the pad supports and slip the pad supports together as shown in Figure 9. Leave 6 inches between the pad supports for the Kool Cel pads.

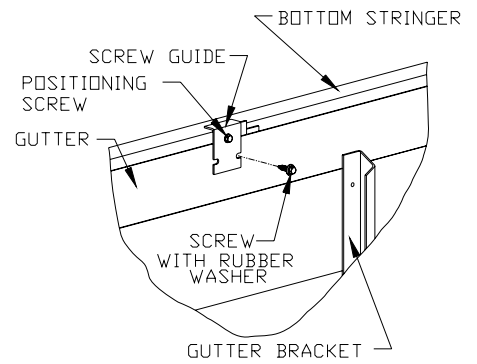


Figure 8

Figure 9

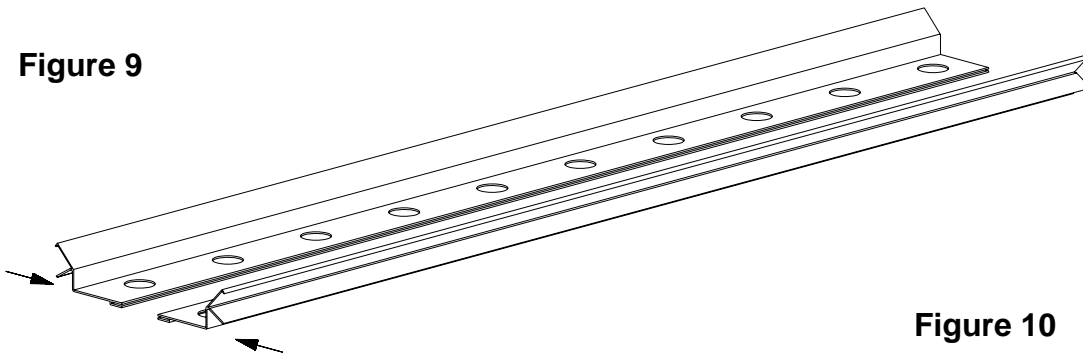
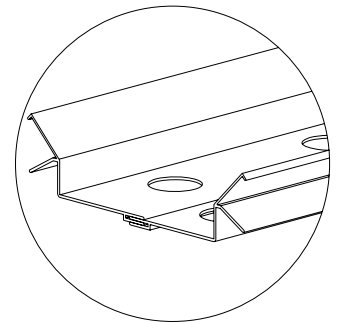


Figure 10



- I) Locate the pad support connectors and slip the pad support connectors on all pad supports except the first pair as shown in Figure 11 and Figure 12.

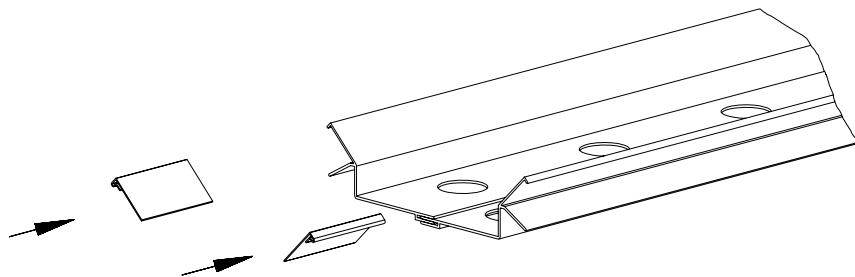


Figure 11

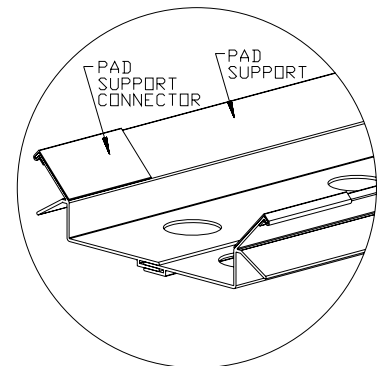
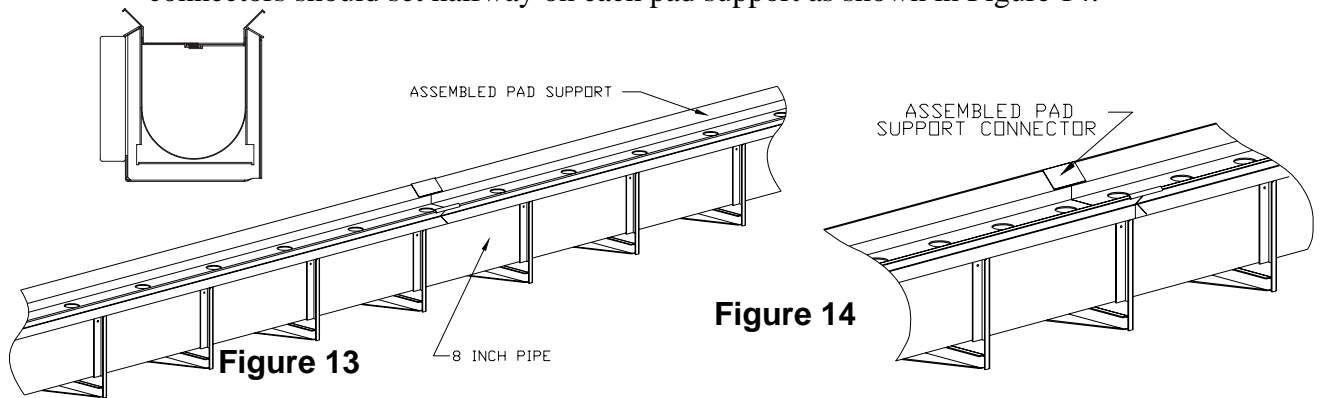
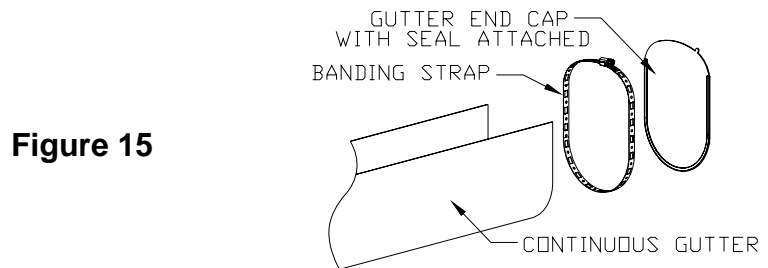


Figure 12

- J) Place the pad support assemblies into the gutter as shown in Figure 13. Slide the pad support connectors onto the adjacent pad supports. The pad support connectors should set halfway on each pad support as shown in Figure 14.

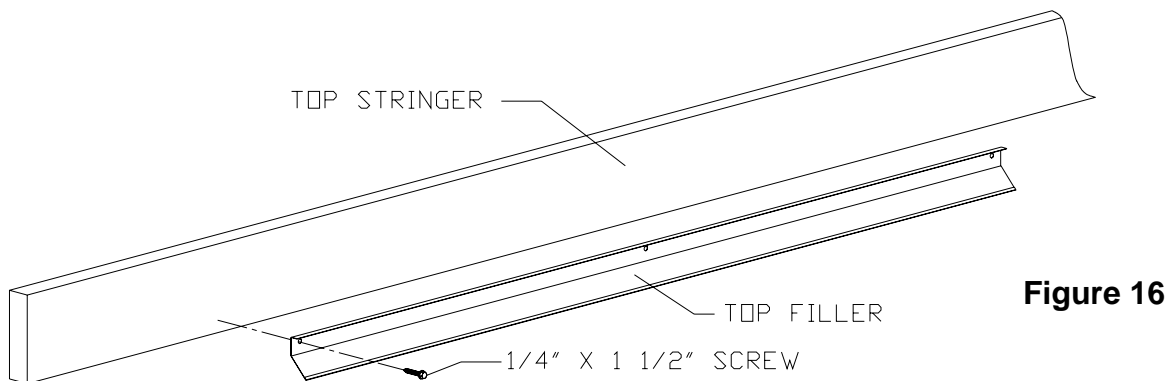


- K) Locate the gutter end cap and gutter end cap seal. Install the gutter end cap seal on the gutter end cap. Install the gutter end cap with seal in the end of the gutter opposite the pump as shown in Figure 15 using the banding strap to secure the end cap in the gutter.



B. System Top Installation

1. Locate the top filler and attach to the top stringer using the $\frac{1}{4}$ x $1\frac{1}{2}$ inch hex head screws provided as shown in Figure 16. Note: The end of the top filler should be aligned with the end of pad support. The screw location for the top filler holes is shown in Figure 3.



2. Locate the OTC/OTPP top cover shown in Figure 17. Attach the OTC/OTPP top cover to the top stringer using the $\frac{1}{4}$ x $1\frac{1}{2}$ inch hex head screws provided as shown in Figure 17. Note: Use the second chalkline shown in Figure 3 for the screw location. Place a section of pad into the end of the Kool Cel system to check for proper location.

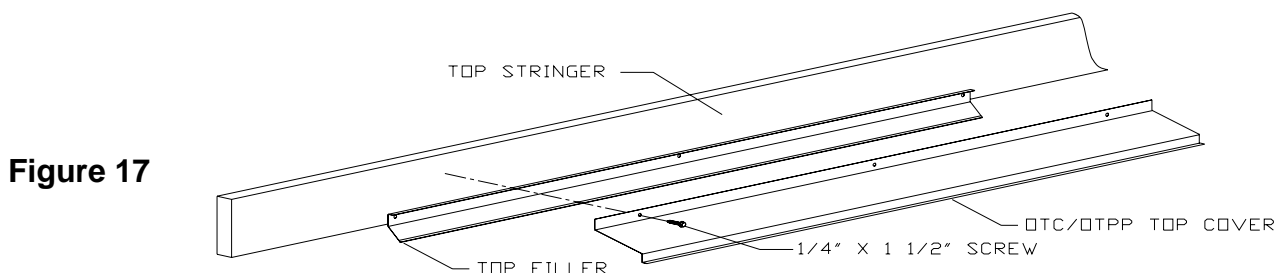


Figure 17

Locate the pipe brackets as shown in Figure 18. Place the pipe bracket 6 inches from the end of the system and space the brackets on 42 inch centers.

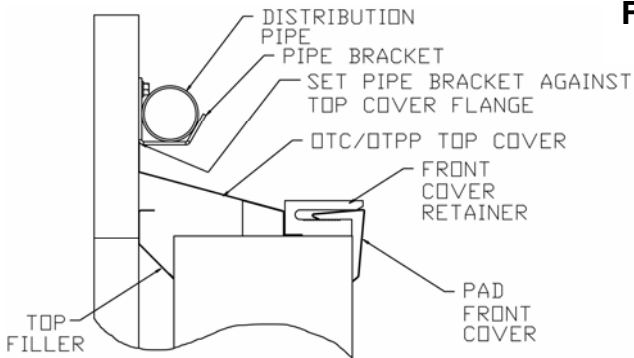


FIGURE 18

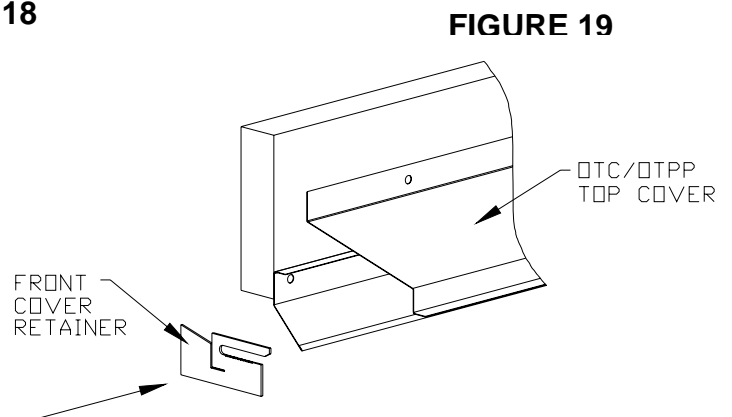


FIGURE 19

3. Locate the front cover retainers as shown in Figure 19. These retainers slide over the top cover and have to be installed from the end of the system. Install the front cover retainers as shown in Figure 19. The front covers are 5' long. Locate the front cover retainers one foot from the end of each front cover between the Kool-Cel pads as shown in Figure 20.

FIGURE 20

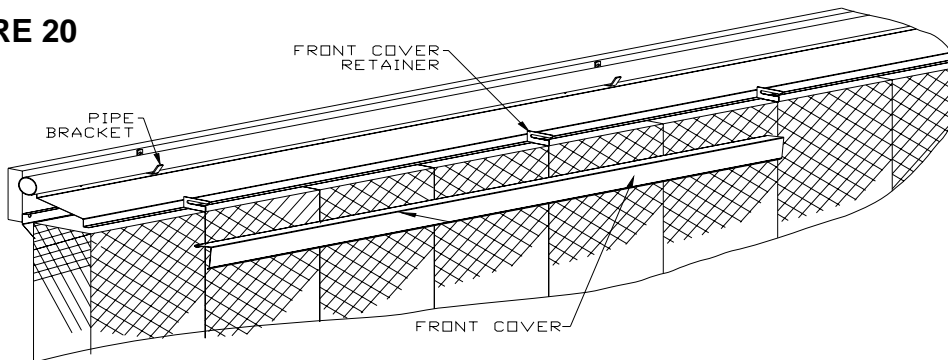
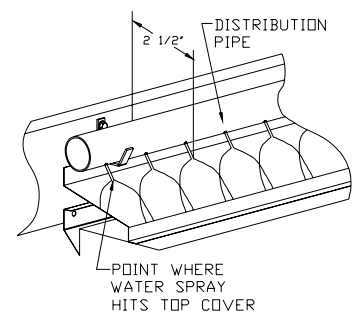


FIGURE 21

4. Place a 10' section of 1 1/2" pipe WITH THE METERED HOLES POINTING TOWARD THE TOP COVER onto the pipe brackets at the pump tank end of the system. Enough pipe should extend beyond the top cover to later attach a coupling for plumbing installation as shown in Figure 27.
5. Install a 1 1/2" slip joint coupling on the pipe end away from the pump tank end and assemble another 10' section of pipe. DO NOT USE PVC CEMENT ON THESE JOINTS. The coupling and pipe should be pushed tightly together BUT NOT CEMENTED. MAKE SURE THE METERED HOLES ARE POINTING TOWARD THE TOP COVER SO THE WATER WILL SPRAY ON THE TOP COVER FOR PROPER WATER DISTRIBUTION as shown in Figure 21.
6. Install the remaining pipe using the 1 1/2" couplings (no cement), always making certain that the metered holes point toward the top cover as shown in Figure 21.



- When the installation is complete and the water is turned on, rotate the pipe so that water will strike the top cover 2 1/2 inches away from the wall as shown in Figure 21.

C. Pad Installation

Figure 22

- Place the bottom of the pad firmly on the pad support and under the top cover. **THE 6 INCH PADS MUST BE INSTALLED AS SHOWN IN FIGURE 22 WITH THE HIGHER ANGLE OF THE FLUTES POINTING UPWARD AND TOWARD THE BUILDING.** (If you can see through the flutes you should be looking at the ceiling of the building.) **NOTE:** The front cover supports should be placed between the first and second Kool-Cel pads from the end of the front covers as shown in Figures 20 and 24. **NOTE:** After installing all but the last two pads, install the end pad in the system leaving a space for the next to last pad as shown in Figure 23. Measure the width of the space for the last pad and cut the width of last pad to fit into the available space. **DO NOT** force the last pad into a space that is smaller than the pad.
- Install the pad front cover as shown in Figure 20 by inserting the front edge (edge with small brake over 90 degrees) into the front of the front cover retainers. Push the rear of the pad front cover until it is tight against the pads. Each pad front cover will cover five Kool Cel Pads. To remove the pad front cover, lift up on the front of the front cover until the front cover is disengaged from the notches in the slot and pull away from the Kool Cel pads.

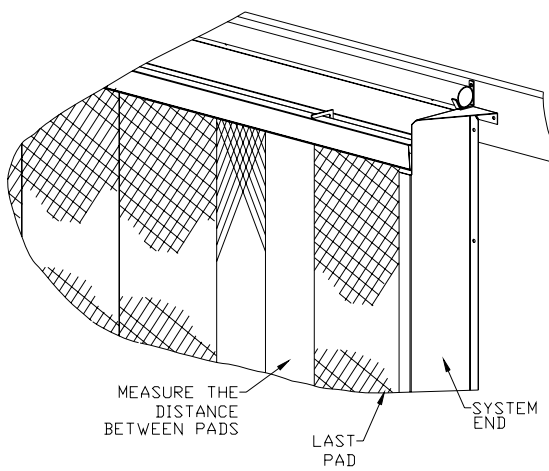
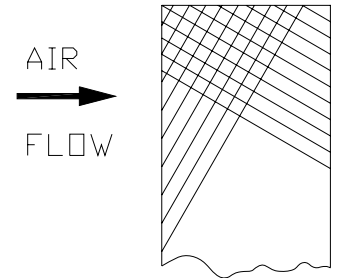


Figure 23

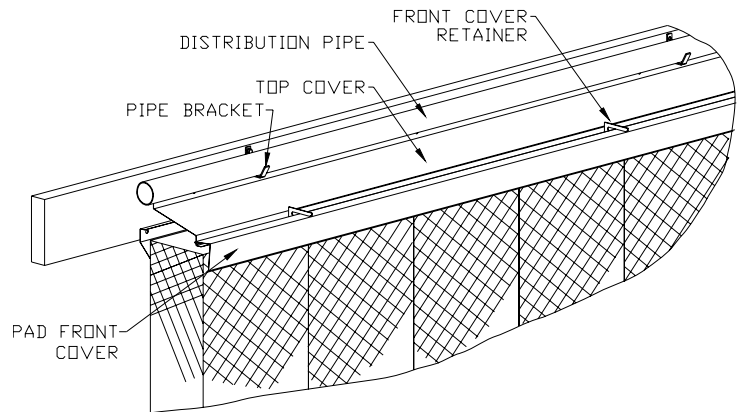


Figure 24

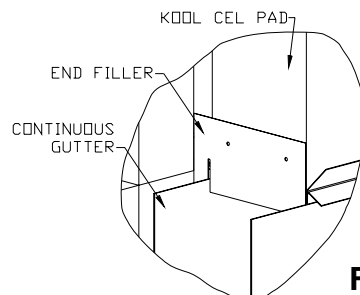


Figure 25

D. System End Cover Installation (Optional)

1. The system end covers attach to the stringer and to a 2" x 4" filler in the wall. Install a 2" x 4" filler between the top stringer and bottom stringer at each end of the pad system as shown in Figure 26.
2. Locate the two end fillers as shown in Figure 25. Place the end fillers into the gutter as shown in Figure 25 and 26.
3. Locate the two system end covers as shown in Figure 26. Position the system end cover against the bottom of the 1 1/2" pipe at the top of the system and fasten to the filler and stringers as shown in Figure 26 using the 1/4" x 1 1/2" screws provided.
4. Attach the end filler to the system end cover as shown in Figure 26 using the #10 x 1/2 inch screws provided.

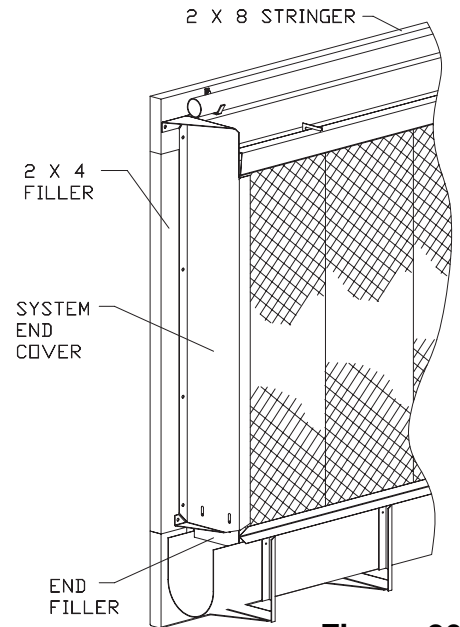


Figure 26

E. Bleed-Off Assembly Installation

Locate the bleed-off end opposite the supply line (or drain). Locate the parts outlined in Table 1 and install in the numbered sequence shown. Cement the pipe and fittings but DO NOT cement the threads of the female adapter or the male threads of the plugs. Allow at least one hour drying time for the cement.

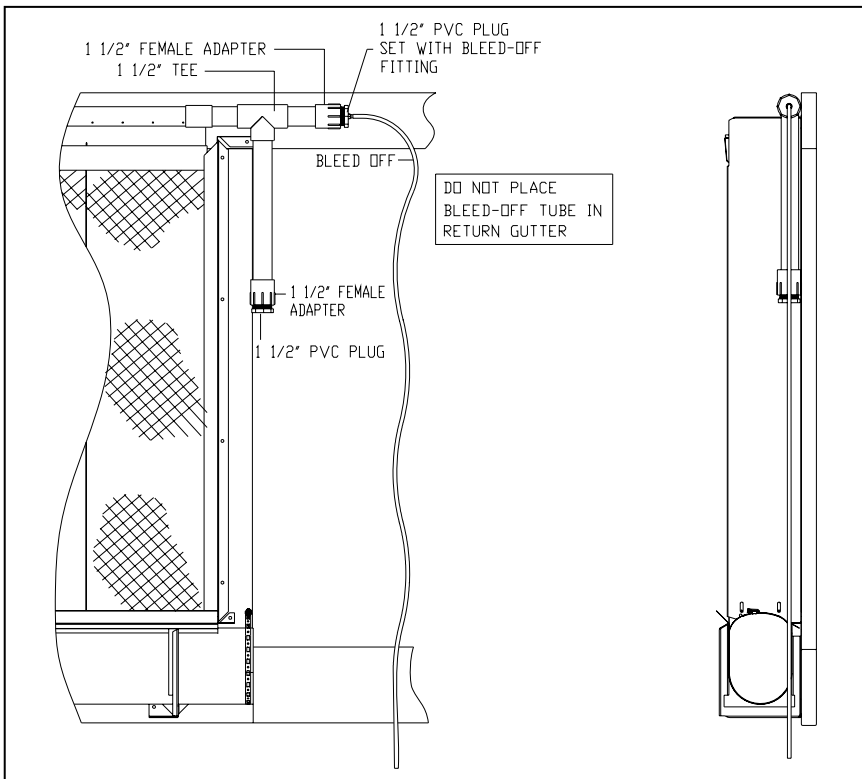


Figure 27

DO NOT PLACE BLEED-OFF TUBE IN RETURN GUTTER OR WATER SUPPLY TANK.

ITEM	DESCRIPTION	QTY
1	1-1/2" Tee	1
2	2'4" Piece of 1-1/2" Pipe	1
3, 6	1-1/2" Female Adapter	2
4	1-1/2" Plug	1
5	Short piece of 1-1/2" Pipe	1
6	See Above	
7	1-1/2" plug set with bleed-off tube fitting	1
8	Bleed-off Tube	1

Table 1

IV. Plumbing Installation

A complete plumbing kit is available through your distributor. Extra items are included in this kit so that one kit may fit all installations. If you have not purchased this kit, refer to Figures 28 and 29 for items required. Assemble the plumbing as shown in Figures 28 and 29 after the system has been installed.

Note: Provide a water supply capable of supplying .75 gal per minute per square foot of pad.

**Figure 28
DRAIN END**

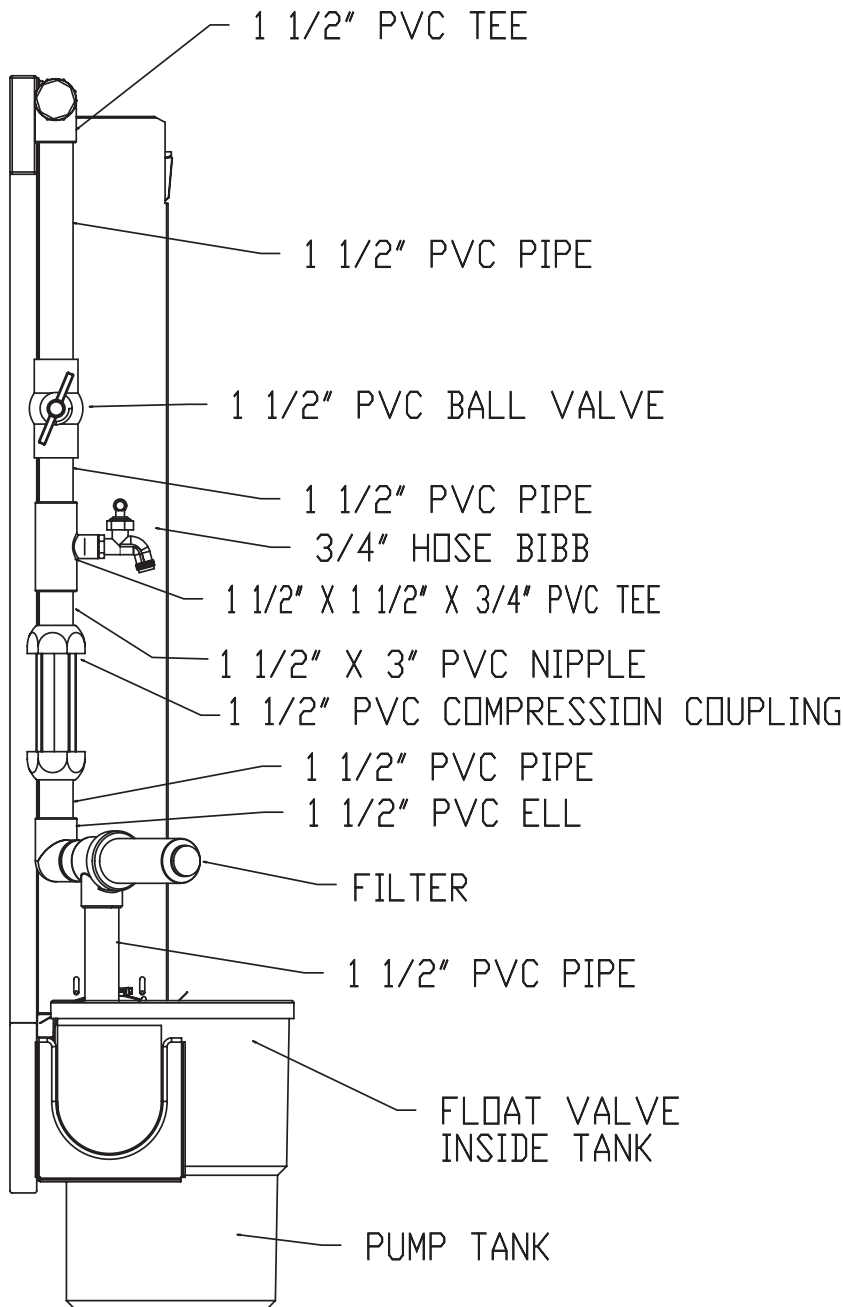
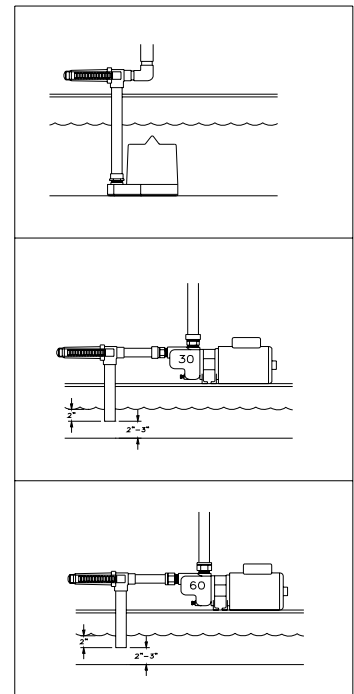


Figure 29



V. Exploded View

Bill of Material					
1	Top Stringer	By Others	9	System End Cover – Left Seal	By Height
2	Bottom Stringer	By Others	10	System End Cover - Right	By Height
3	CTC/OTC Gutter	By Foot	11	6" Pad	As Req.
4	CTC/OTC Gutter Bracket	670280	16	1 1/2" Slip Coupling	991535
5	RC12-18 Banding Strap	991676	17	Front Cover Retainer	670271
6	Gutter End Cap	670264	18	Open Top Pipe Hanger	670265
8	Pad Support Joint Cover	512222	19	Rubber Channel 3/8 x 3/16	991338
5 FOOT SYSTEM					
7	Drip Collector & Pad Supt-60"	512200	14	Kool Cel Top-Pipe-60 Inch	512217
12	Top Filler 60 Inch	512219	15	Distribution Pipe-60X.125	512100
13	Pad Front Cover 60 Inch	512107			
10 FOOT SYSTEM					
7	Drip Collector & Pad Supt-120"	512221	14	Kool Cel Top-Pipe-120 Inch	512218
12	Top Filler 120 Inch	512220	15	Distribution Pipe-120X.125	512101

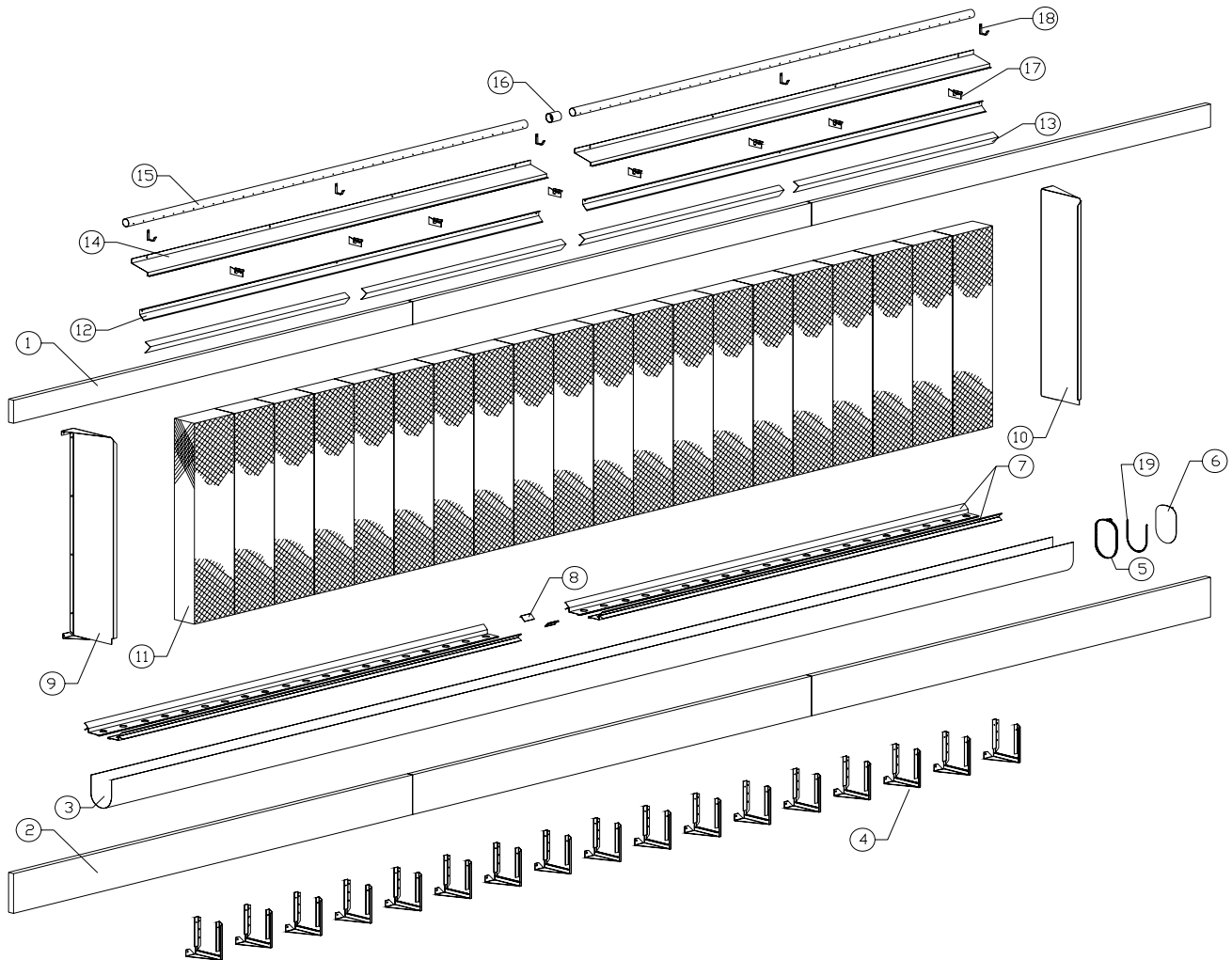


Figure 30

VI. 8 Inch PVC Pump Tank Kit

Figure 31

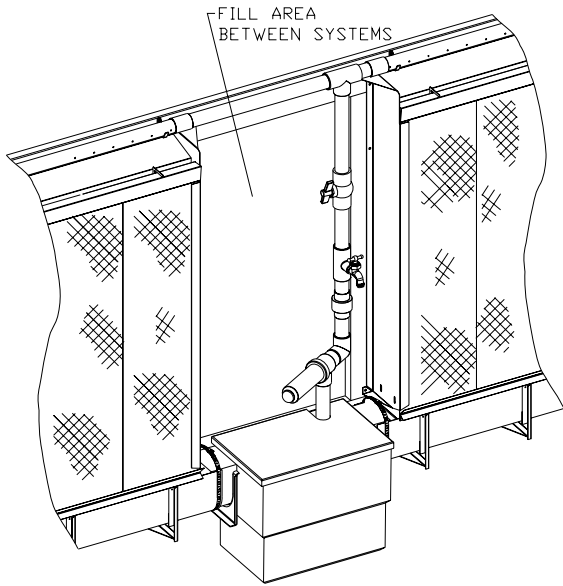
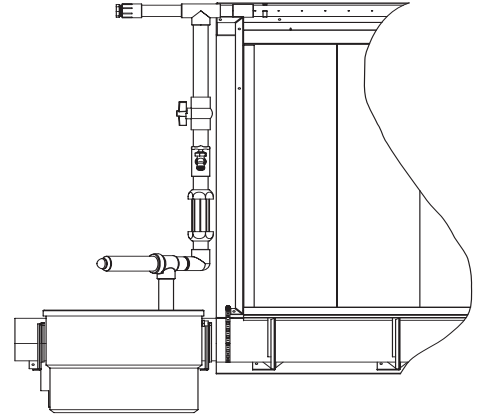
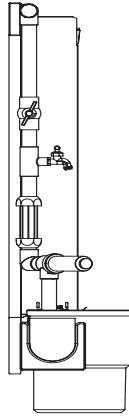


Figure 32

VII. PT50-OTP 50 Gallon Pump Tank Kit

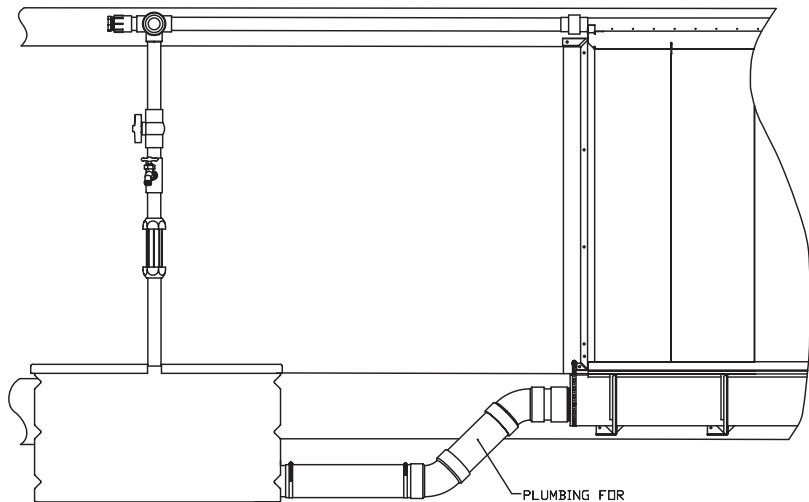
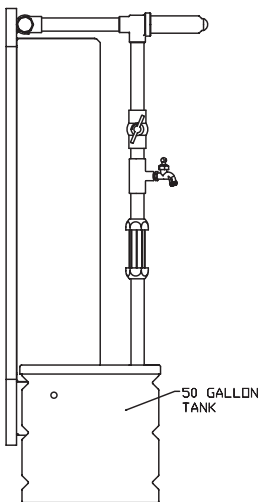


Figure 33

VIII. Start Up and Testing

- A) Test Water – Make up water should be tested for Ph level and soluble salts. Ph must be between 6 and 9 and salt concentrates below 40,000 ppm. See “Pad Care” Section X.
- B) Float Valve – Open the water supply line to the pump tank. Adjust the float valve so the water shuts off before the water level in the continuous gutter reaches the bottom of the pad.
- C) Pump – **Prime the pump** (#30 and #60) per instructions received with the pump.
- D) Flush the system to clean out all accumulated debris as follows:
 - 1. Open the flow valve. Close the clean out valve.
 - 2. Be sure pump is primed prior to operation. Run power to pump and let the system flush out for approximately 5 minutes.
 - 3. Remove plug from bleed-off end of system.
 - 4. Shut the pump off and replace plugs.
- E) Turn on the pump and be sure the water is flowing from all holes in the distribution pipe. Clean out any holes that are not spraying water.
- F) Check the water flow from the pipe to insure that flow is on the top cover per Figure 19. If required, adjust the position of the pipe to insure water flow is going into the pad and not splashing out of the system. If the pipe is positioned properly and water is being thrown out of the system, adjust the flow valve until the water does not splash out.

NOTE: Temperature in a greenhouse that is empty will be considerably higher than a greenhouse with plants as the plants assist cooling by their transpiration.

IX. Maintenance

A regular maintenance schedule should be kept up to keep your Kool Cel system operating at peak efficiency and to **maximize the life of the system**.

- A) A visual check should be made whenever you’re in the area of the pad:
 - 1) Check for dry spots on the pad.
 - 2) Check for algae and scale on pads; See “Pad Care, ”
- B) During the cooling season, when the pad is in operation:
 - 1) Weekly
 - a) Clean out strainer to prevent possible damage to pump. This may need to be done twice a week.
 - b) Clean out sediment plugs at the ends of system (Remove plugs and drain into a bucket with system pump off; replace plugs.)
 - c) Drain the sump to remove sediment, usually every two to four weeks. In areas with extremely high salt concentrates, this should be done weekly to lower salt concentrates in the sump. (Close the valve, connect hose to the hose bibb, open hose bibb and turn on the pump. Remove the drain plug from the tank to remove the remaining water.)
 - 2) Monthly
 - a) Inspect the complete system:
 - 1) Check for leaks and repair
 - 2) Check bleed-off connection to insure bleed off is occurring at all times.
 - 3) Check the strainer from the downspout in the sump – replace if necessary.
 - b) Test water for Ph level, (make up water and sump water) See “Pad Care” Section VIII.

C) Start and End of Cooling Season

1. At the end of the season, drain the pump and piping system to avoid damage caused by rust and impure particles in the water. If the system is outside the building, you must drain and remove the pump to avoid freeze damage.
2. To restart the system in the spring, follow the “Start up and Testing” procedure (VIII).
3. Inspect all parts and pads and replace any damaged or worn parts. See parts list and drawings on appropriate page or exploded drawing on page 12.

X. Pad Care

Kool-Cel pads are very durable and long lasting. To maximize the life of your pads and keep the efficiency of the original installation, review the following items and take necessary action to correct any conditions that may be detrimental to the pad.

- A) Ph of recirculating** water (from sump) must be maintained between 6 and 9 (7 is pure water). If these limits are exceeded, the stiffening agents in the pad will leach out and destroy the pad. Water containing acids to a degree that the Ph is below 6.0 aromatic hydrocarbons, or wetting and dispersing agents, such as phosphates, can be harmful to the pad.
- B) Hard water** resulting in Calcium Carbonate deposits on the pad is not harmful, but should be kept within limits. The well known Longelier Formula can help to approximate the Ph above which the scaling will appear. The help of a good water treatment expert is advisable if any hardness problems are encountered.
- C) Sodium Chloride** (salt water) concentrate above 50,000 ppm (approx.) will deposit salt on the pad and reduce air flow. Keep salt concentrates below 50,000 ppm in recirculating water and below 40,000 ppm in make-up water.
- D) Algae** will grow on any surface that is wet and exposed to sunlight. To help prevent algae build up, follow these tips:
 - 1) Do not draw make-up water from an open pond. Use well water or chlorinated water from city systems.
 - 2) Cover the sump to avoid exposure to sunlight and airborne particles, and to keep animals from drinking it.
 - 3) Keep the fans running after the pump is shut off to dry the pads, thus killing the algae spores left on the pad.
 - 4) Isolate the water make-up system from any other system that may carry fertilizers which would enhance algae growth.
 - 5) If algae persists, use a swimming pool water algaecide non-chlorine, chloride (tablet type) in the sump about $\frac{1}{4}$ the concentrate suggested for pools.
- E) Airborne dust and bugs** do not seem to clog the air flow passages of Kool-Cel. When the system is running this clogging washes away.
- F) When Kool-Cel is installed** within reach of poultry or livestock it should be guarded. To guard from poultry birds a (10 x 14) mesh guard approximately 8” –12” from the pad and the full length of the system should be provided up to approximately 3’ from the birds’ feet. The pad should be protected from livestock with a full heavy gage wire screen approximately 2” x 2” mesh and placed at least 6” from the pad.
- G) Bleed-Off** – Since the water is continuously evaporating and being replaced by fresh water, the salts and minerals are left behind in the re-circulating water. As these impurities become concentrated, they build up in the pads unless steps are taken to prevent this. To reduce the build up of deposits and scale, a bleed-off of from 1 to 2 percent of the recirculating water is usually required. This is particularly true in areas that have a high mineral content in the water. The required bleed-off is provided by the bleed-off fitting in the plug.

TERMS AND CONDITIONS OF SALE

ACCEPTANCE All orders and sales are subject to written approval and acceptance by an executive officer of Acme Engineering & Manufacturing Corporation at Muskogee, Oklahoma, (the "Company") and are not binding on the Company until so approved.

DELIVERY All shipping and delivery dates are estimated only. No delays in delivery will subject the Company to any costs, damages or fees for late delivery. Delivery of the products herein specified shall be made F.O.B. point of shipment, unless otherwise stated. The Company shall not be liable for delay due to causes beyond its reasonable control, such as Acts of God, acts of the purchaser, acts of civil or military authorities, priorities, fires, strikes, floods, epidemics, war, riots, delays in transportation, car shortages, and inability, due to reasons beyond its reasonable control, to obtain necessary labor, material, or manufacturing facilities. In the event of such a delay, the date of delivery shall be extended for a period equal to the time lost by reason of the delay.

TERMS OF PAYMENT If, in the judgment of the Company, the financial condition of the purchaser at any time does not justify continuation of manufacture or shipment on the terms of payment specified, the Company may require full or partial payment in advance.

Pro rata payments shall become due as shipments are made. Each shipment or delivery shall constitute a separate sale, and the default of any shipment or delivery shall constitute a separate sale, and the default of any shipment or delivery shall not vitiate the contract as to other shipments or deliveries.

PRICE ADJUSTMENT Prices are subject to change until the Purchaser's order has been accepted by the Company.

SALES AND SIMILAR TAXES The Company's prices do not include sales, use, excise, or similar taxes. Consequently, in addition to the price specified herein, the amount of any present or future sales, use, excise,

or other similar tax applicable to the sale of the product herein shall be paid by the Purchaser, or in lieu thereof the Purchaser shall provide the Company with a tax exemption certificate acceptable to the taxing authorities.

CANCELLATION Any contract resulting from the Purchaser's order may be canceled by the Purchaser only by negotiations and upon payments of reasonable cancellation charges which will take into account expenses already incurred and commitments made by the Company.

DESIGN CHANGES The Company reserves the right to make changes in design, improvements and additions in and to its products any time without imposing any liability or obligations to itself to apply or install the same in any product manufactured by it.

TITLE The title and right of possession of the products sold herein shall remain with the Company and such products shall remain personal property until all payments herein (including deferred payments whether evidenced by notes or otherwise) shall have been made in full in cash and the Purchaser agrees to do all acts necessary to perfect and maintain such right and title in the Company.

PRICE ADJUSTMENTS AND PROTECTION Prices on products manufactured by the Company are firm for shipment up to four months from the date of the original order entry. Such prices are subject to adjustment if shipment is made after four months and up to ten months from the date of the original order entry, if products are shipped ten months from the date of the original order entry, prices will be adjusted to the price in effect at the time of shipment automatically. All complete component accessory material manufactured by others and furnished with the Company's products such as motors, drives, vibration equipment, controls or other completely assembled component structures, are subject to adjustment to the price at time of shipment regardless of the date of original order entry.

SAFETY ACCESSORIES The Company manufactures products designed to serve multiple applications and offers a wide range of safety equipment, including guards and other devices, as may be required to meet customer specifications. Without exception, the Company recommends that all orders include applicable safety devices. Products ordered without applicable safety devices is clearly the responsibility of the Purchaser. Further, the Purchaser warrants that it has determined and acquired any and all safety devices required for products sold by the Company. Weather covers and guards for motor and V-belt drives, couplings, shafts and bearings, along with inlet and outlet screens, are optional accessories noted in the price list.

GOVERNING LAW The rights, obligations and remedies of Purchaser and the Company, the interpretation of these terms and conditions and the sale of products by the Company shall be governed by Oklahoma law, without regard to any principles of conflict of laws.

ARBITRATION Any dispute arising under or in connection with these terms and conditions or the sale of products shall be settled by binding arbitration administered by the American Arbitration Association under its Commercial Arbitration Rules, and judgment on the award rendered by the arbitrator may be entered in any court having jurisdiction thereof. The dispute shall be resolved by one neutral arbitrator who shall have no affiliation with either Purchaser or the Company and shall be selected by the American Arbitration Association office in Dallas, Texas. The arbitration proceedings shall be held in Muskogee, Oklahoma.

APPLICABLE DOCUMENTS The agreement between the Company and the Purchaser relating to the products includes these terms and conditions of sale, any applicable installation and maintenance instructions provided by the Company and any terms appearing on the Company's quotation, sales order acknowledgment and invoice.

WARNING Acme products are designed and manufactured to provide reliable performance but they are not guaranteed to be 100% free of defects. Even reliable products will experience occasional failures and this possibility should be recognized by the Purchaser and all End Users. If these products are used in a life support ventilation system where failure could result in loss or injury, the Purchaser and all End Users should provide adequate back-up ventilation, supplementary natural ventilation or failure alarm system, or acknowledge willingness to accept the risk of such loss or injury.

WARNING DO NOT use in HAZARDOUS ENVIRONMENTS where fan's electrical system could provide ignition to combustible or flammable materials unless unit is specifically built for hazardous environments. Comply with all local and national safety codes including the National Electrical Code (NEC) and National Fire Protection Act (NFPA).

CAUTION Guards must be installed when fan is within reach of personnel or within seven (7) feet (2.134 m) of working level or when deemed advisable for safety.

DISCLAIMER The Company has made a diligent effort to illustrate and describe the products accurately in all Company literature; however such illustrations and descriptions are for the sole purpose of identification and do not express or imply any warranty.

LIMITED WARRANTY

WARRANTY AND DISCLAIMER: the Company extends this limited warranty to the original purchaser and warrants that products supplied by the Company, shall be free from original defects in workmanship and materials for two years from date of shipment (except for the warranty periods noted for products listed below), provided same have been properly handled, stored, installed, serviced, maintained and operated. This warranty shall not apply to products which have been altered or repaired without the Company's express authorization, or altered or repaired in any way so as, in the Company's judgment, to affect its performance or reliability, nor which have been improperly installed or subjected to misuse, negligence, or accident, or incorrectly used in combination with other substances. The Purchaser assumes all risks and liability for results of use of all products.

Evaporative cooling pads are warranted to be free of defects in materials and workmanship for a period of two years from date of shipment provided same have been properly handled, stored, installed, serviced, maintained and operated; and further, not subjected to excessive heat, corrosive agents or chemicals, or mechanical abuse that may cause tearing, crushing or undue deterioration, nor used on a system or in a manner other than that for which it was designed as explained in the product literature.

The following products are warranted to be free of defects in materials and workmanship for the periods shown from date of shipment: Acme's exclusive duplex split pillow block bearings and shaft five years, belts one year, Polyethylene tubing 90 days, AIR40 Heater warranty one year, AIR40 Emitter warranty three years and DDP fan lifetime warranty on its propeller, cone, and housing.

LIMITATION OF REMEDY AND DAMAGES: All claims under this warranty must be made in writing and delivered to P. O. Box 978, Muskogee, Oklahoma, 74402, within 15 days after discovery of the defect and prior to the expiration of two years from the date of shipment by the Company of the product claimed defective, and Purchaser shall be barred from any

remedy if Purchaser fails to make such claim within such period.

Within 30 days after receipt of a timely claim, the Company shall have the option either to inspect the product while in Purchaser's possession or to request Purchaser to return the product to the Company at Purchaser's expense for inspection by the Company. The Company shall replace, or at its option repair, free of charge, any product it determines to be defective, and it shall ship the repaired or replacement product to Purchaser F.O.B. point of shipment; provided, however, if circumstances are such as in the Company's judgment to prohibit repair or replacement to remedy the warranted defects, the Purchaser's sole and exclusive remedy shall be a refund to the Purchaser of any part of the invoice price, paid to the Company, for the defective product or part.

The Company is not responsible for the cost of removal of the defective product or part, damages due to removal, or any expenses incurred in shipping the product or part to or from the Company's plant, or the installation of the repaired or replaced product or part.

The warranties set forth above do not apply to any components, accessories, parts or attachments manufactured by other manufacturers; such being subject to the manufacturer's warranty, if any. To the extent not prohibited by the manufacturer's warranty, the Company shall pass through to Purchaser such manufacturer's warranty.

THE COMPANY'S WARRANTY IS IN LIEU OF ALL OTHER WARRANTIES, EXPRESS OR IMPLIED, ARISING BY LAW OR OTHERWISE, INCLUDING WITHOUT LIMITATION THE IMPLIED WARRANTIES OF MERCHANTABILITY AND FITNESS FOR A PARTICULAR PURPOSE, WHICH ARE HEREBY EXPRESSLY DISCLAIMED AND WAIVED. THIS WARRANTY CONSTITUTES THE COMPANY'S SOLE AND EXCLUSIVE WARRANTY FOR DEFECTIVE GOODS AND PURCHASER'S SOLE AND EXCLUSIVE REMEDY FOR DEFECTIVE PRODUCTS.

No employee, agent, dealer, or other person is authorized to give any warranties on behalf of the Company or to assume for the Company any other liability in connection with any of its products except in writing and signed by an officer of the Company.

REPLACEMENT PARTS If replacement parts are ordered, purchaser warrants that the original components in which these replacement parts will be placed are in satisfactory working condition, and

when said replacement parts are installed, the resultant installation will operate in a safe manner, at speeds and temperatures for which the original product was purchased.

TECHNICAL ADVICE AND RECOMMENDATIONS, DISCLAIMER: Notwithstanding any past practice or dealings or any custom of the trade, sales shall not include the furnishing of technical advice or assistance or system design. Any such assistance shall be at the Company's sole option and may be subject to additional charge.

The Company assumes no obligation or liability on account of any recommendations, opinions or advice as to the choice, installation or use of products. Any such recommendations, opinions or advice are given and shall be accepted at Purchaser's and End User's risk and shall not constitute any warranty or guarantee of such products or their performance.

LIMITATION OF LIABILITY The cumulative liability of the Company to the Purchaser and any other persons for all claims in any way relating to or arising out of the products, including, but not limited to, any cause of action sounding in contract, tort, or strict liability, shall not exceed the total amount of the purchase price paid for those products which are the subject of any such claim. This limitation of liability is intended to apply without regard to whether other provisions of this agreement have been breached or have proven ineffective even if the Company has been advised of the possibility of such claims or demands. In no event shall the Company be liable to the Purchaser or any other person for any loss of profits or any incidental, special, exemplary, or consequential damages for any claims or demands brought by the Purchaser or such other persons.

INDEMNITY The Company's maximum liability to Purchaser and to any end user is as set forth above. The Company makes no warranty to anyone for any products not manufactured by the Company and shall have no liability for any use or installation of any products (whether manufactured by the Company or other manufacturers) not specifically authorized by this sale. Purchaser acknowledges various warnings by the Company regarding the products and its installation and use. If the Company incurs any claims, lawsuits, settlements, or expenses (including attorney fees) for any loss, injury, death or property damage including, but not limited to, claims arising out of the Purchaser's or any end user's installation or use of the products, the Purchaser shall indemnify and hold the Company harmless.



ACME ENGINEERING AND MANUFACTURING CORPORATION
P.O. Box 978
Muskogee, Oklahoma 74402
Telephone 918/682-7791
Fax 918/682-0134
www.acmefan.com