



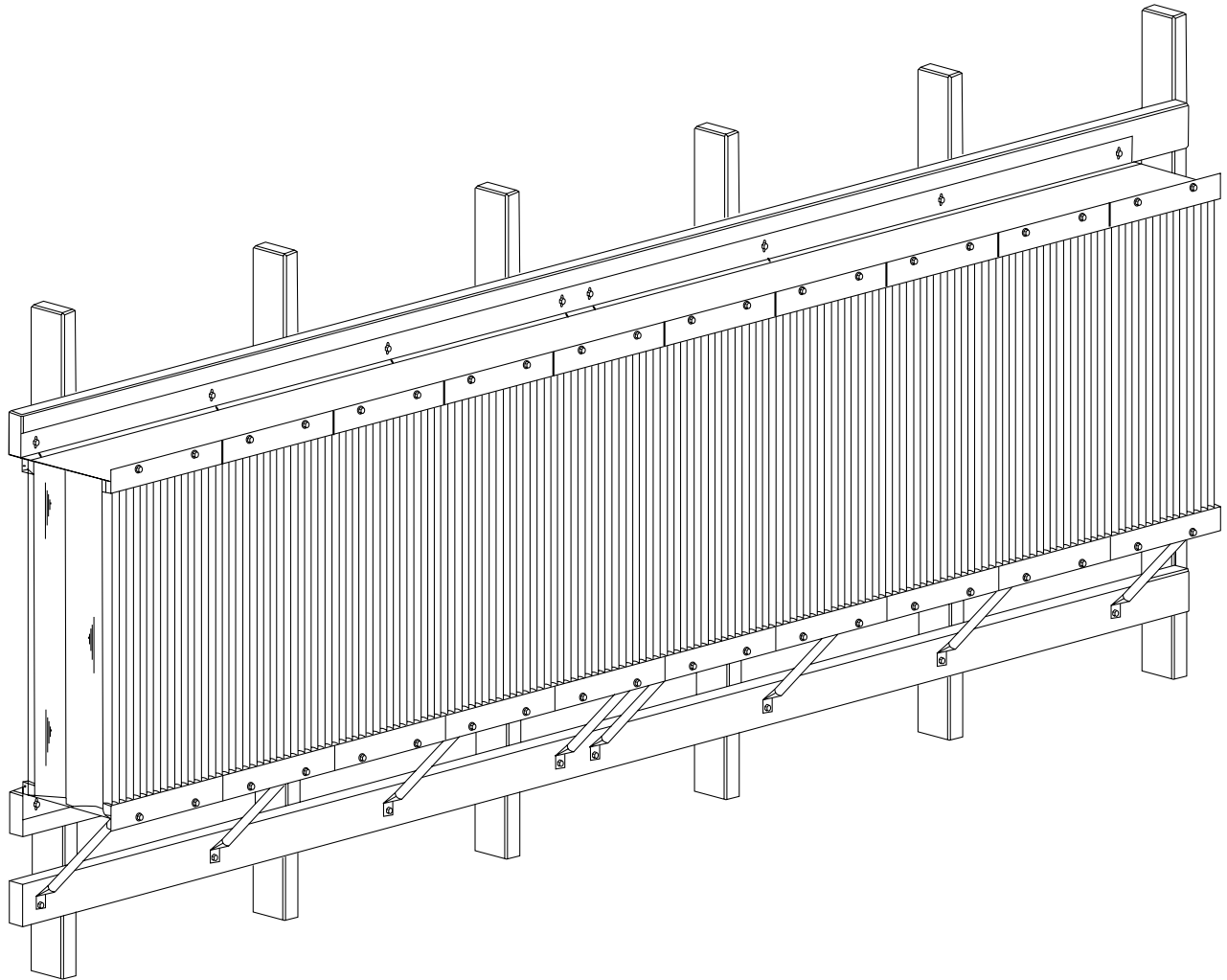
**Acme Engineering &  
Manufacturing Corporation**  
P.O. Box 978  
Muskogee, OK 74402  
Phone: 918/682-7791, Fax: 918/682-0134  
acmeag@acmefan.com www.acmeag.com

**Form 610634  
June 2001**

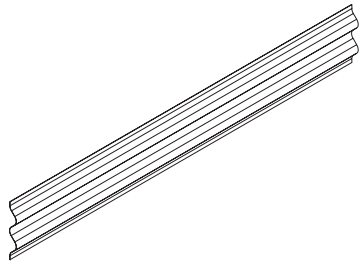
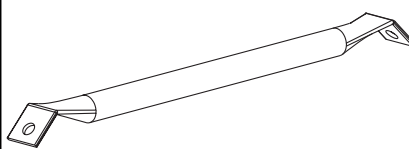
---

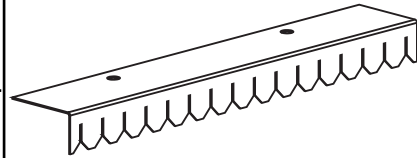
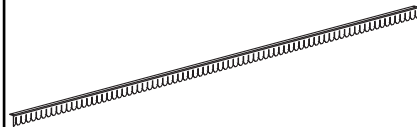
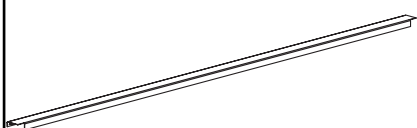
## **CONTINUOUS PLASTIC LIGHT TRAP (LTPC) ASSEMBLY/INSTALLATION INSTRUCTIONS**

---



# PARTS LIST

Description	Quantity	Picture	
Light Trap Profile 2430 3630 4830 6030 7230	40		
2460 3660 4860 6060 7290	80		
Light Trap Top/Bottom All sizes	2		
Light Trap Mounting Flange All sizes	2		
Light Trap Support 2430 3630 4830 6030 7230	2		
2460 3660 4860 6060 7290	4		

Description	Quantity	Picture		
12-inch Light Trap Profile Retainer 2430 3630 4830 6030 7230	0			
2460 3660 4860 6060 7290	10			
15-inch Light Trap Profile Retainer 2430 3630 4830 6030 7230	4			
2460 3660 4860 6060 7290	0			
Light Trap Spacer 2430 3630 4830 6030 7230 2460 3660 4860 6060 7290	0 0 2 4 4 0 0 4 4 4			
Light Trap Spacer Retainer 2430 3630 4830 6030 7230 2460 3660 4860 6060 7290	0 0 4 4 4 0 0 4 4 4			
Optional Corner Trim (All sizes)	4			
NOTE: 4 required per bank of continuous light trap.				



## PARTS LEGEND

The following table represents the quantity of parts that should be received for each standard size Continuous Light Trap.

PART DESCRIPTION	CONTINUOUS LIGHT TRAP SIZE (Height/Width)									
	2430	3630	4830	6030	7230	2460	3660	4860	6060	7260
	<b>Quantity of Parts</b>									
*Light Trap Profile	40	40	40	40	40	80	80	80	80	80
Light Trap Top/Bottom	2	2	2	2	2	2	2	2	2	2
L. T. Mounting Flange	2	2	2	2	2	2	2	2	2	2
Light Trap Support	2	2	2	2	2	4	4	4	4	4
12 LT Profile Retainer	0	0	0	0	0	10	10	10	10	10
15 LT Profile Retainer	4	4	4	4	4	0	0	0	0	0
Light Trap Spacer	0	0	2	4	4	0	0	2	4	4
L. T. Spacer Retainer	0	0	4	4	4	0	0	4	4	4
**Bag of Hardware #1	0	0	0	0	0	1	1	0	0	0
**Bag of Hardware #2	0	0	0	0	0	0	0	1	1	1
**Bag of Hardware #3	1	1	0	0	0	0	0	0	0	0
**Bag of Hardware #4	0	0	1	1	1	0	0	0	0	0

\*NOTE: Number of profiles is based on standard blackout profiles using 3/4" spacing. A spare profile may be included.

### \*\* BAG OF HARDWARE

Part Description	Bag of Hardware #1	Bag of Hardware #2	Bag of Hardware #3	Bag of Hardware #4
1/4 x 1-1/2 Slotted Screw	12	12	8	8
1/4 x 5/8 Type A Screw	32	32	16	16
#8 x 1/2 410SS Tek Screw	0	16	0	16

### OPTIONAL CORNER TRIM

Part Description	Sizes				
	24	36	48	60	72
Corner Trim	4	4	4	4	4
#8 x 1/2 410SS Tek Screw	16	16	16	16	16

\*NOTE: Corner trim is only used at the end of a bank of continuous light trap.

### LIMITED WARRANTY

**WARRANTY AND DISCLAIMER.** Acme Engineering and Manufacturing Corporation extends this limited warranty to the original buyer and warrants that products manufactured by Acme shall be free from original defects in workmanship and materials for two years from date of shipment, provided same have been properly stored, installed, serviced, maintained and operated. This warranty shall not apply to products which have been altered or repaired without Acme's express authorization, or altered or repaired in any way so as in Acme's judgment to affect its performance or reliability, nor which have been improperly installed or subjected to misuse, negligence or accident, or incorrectly used in combination with other substances. The Buyer assumes all risks and liability for the results of use of the products. Warranties on purchased parts such as electric motors, pumps and controls are limited to the terms of warranty extended by our supplier.

**LIMITATION OF REMEDY AND DAMAGES.** All claims under this warranty must be made in writing and delivered to Acme Engineering and Manufacturing Corporation, Box 978, Muskogee, Oklahoma 74402 within 15 days after discovery of the defect and prior to the expiration of two years from the date of shipment by Acme of the product claimed defective, and Buyer shall be barred from any remedy if Buyer fails to make such claim within such period.

Within 30 days after receipt of a timely claim, Acme shall have the option either to inspect the product while in Buyer's possession or to request

Buyer to return the product to Acme at Buyer's expense for inspection by Acme. Acme shall replace, or at its option repair, free of charge, any product it determines to be defective, and it shall ship the repaired or replacement product to Buyer F.O.B., point of shipment provided, however, if circumstances are such as in Acme's judgement to prohibit repair or replacement to remedy the warranted defects, the Buyer's sole and exclusive remedy shall be a refund to the Buyer of any part of the invoice price, paid to Acme for the defective product or part.

Acme is not responsible for the cost of removal of the defective product or part damages due to removal, or any expenses incurred in shipping the product or part to or from Acme's plant, or the installation of the repaired or replaced product or part.

Implied warranties, when applicable, shall commence upon the same date as the express warranty provided above, and shall except for warranties of title, extend only the duration of the express warranty. Some states do not allow limitations on how long an implied warranty lasts, so the above limitation may not apply to you. The only remedy provided to you under an applicable implied warranty and the express warranty shall be the remedy provided under the express warranty. Subject to the terms and conditions contained therein, Acme shall not be liable for incidental and consequential losses and damages under the express warranty, any applicable implied warranty, or claims for negligence, except to the extent that this limitation is found to be unenforceable under applica-

ble state law. Some states do not allow the exclusion or limitation of incidental or consequential damages, so the above limitation or exclusion may not apply to you. This warranty gives you specific legal rights, and you may also have other rights which vary from state to state.

No employee, agent, dealer, or other person is authorized to give any warranties on behalf of Acme or to assume for Acme any other liability in connection with any of its products except in writing and signed by an officer of Acme.

**TECHNICAL ADVICE AND RECOMMENDATIONS, DISCLAIMER.** Notwithstanding any past practice or dealings or any custom of the trade, sales shall not include the furnishing of technical advice or assistance or system design. Any such assistance shall be at Acme's sole option and may be subject to additional charge.

Acme assumes no obligation or liability on account of any recommendations, opinions or advice as to the choice, installation or use of products. Any such recommendations, opinions or advice are given and shall be accepted at your own risk and shall not constitute any warranty or guarantee of such products or their performance.

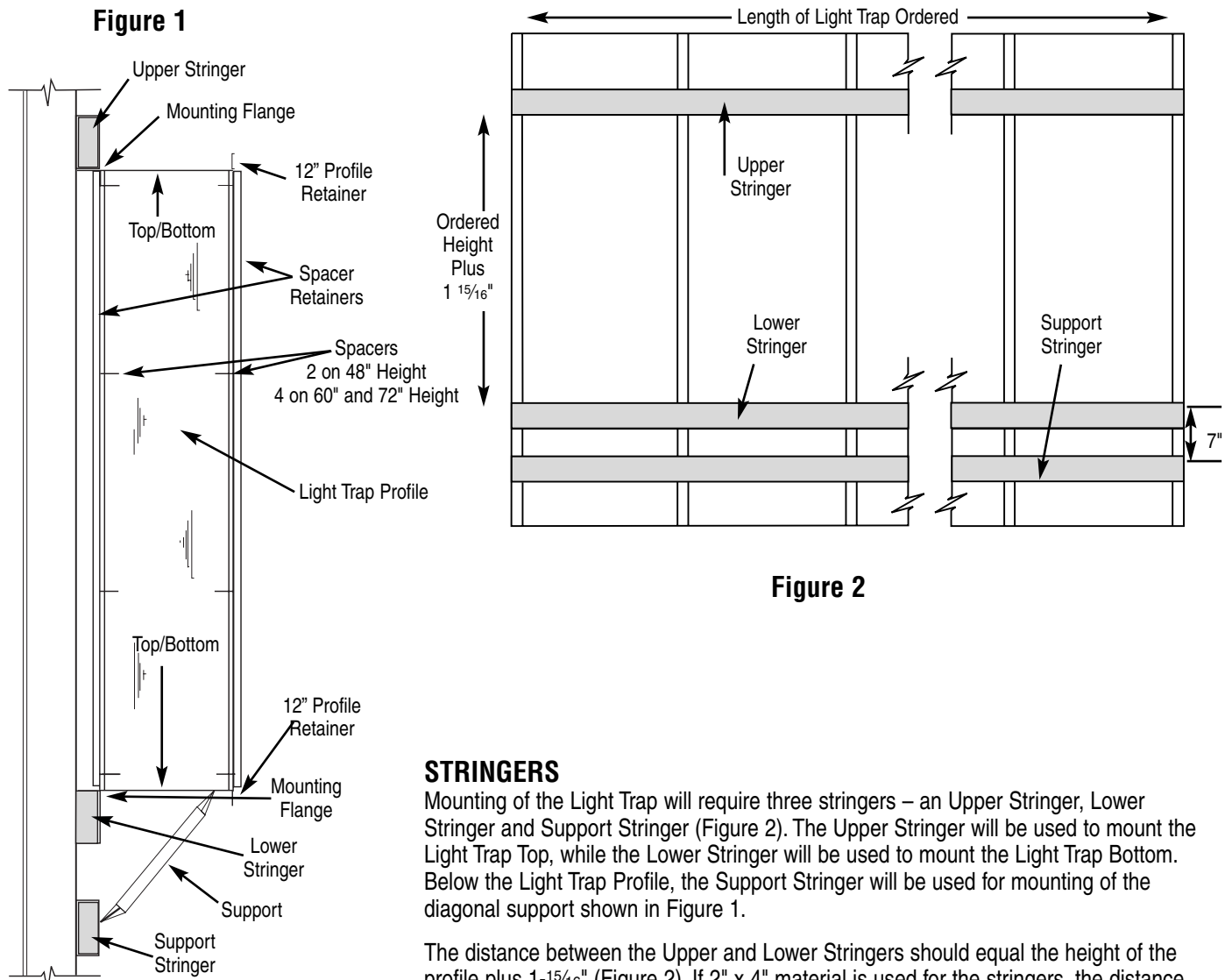
**GENERAL.** In no event shall any claim for consequential damages be made by either party. The Company will comply with all applicable Federal, State and local laws.



# TABLE OF CONTENTS

<b>Parts List</b> .....	<b>Page 2</b>
<b>Parts Legend</b> .....	<b>Page 3</b>
<b>Warranty</b> .....	<b>Page 3</b>
<b>Stringers</b> .....	<b>Page 4</b>
<b>LTPC Assembly</b> .....	<b>Page 5</b>
<b>48", 60" or 72" Profiles</b> .....	<b>Page 7</b>
<b>Finishing the Ends</b> .....	<b>Page 8</b>

## SYSTEM INSTALLATION – STRINGERS



**NOTE:** Optional corner trim is shown on page 6.

### STRINGERS

Mounting of the Light Trap will require three stringers – an Upper Stringer, Lower Stringer and Support Stringer (Figure 2). The Upper Stringer will be used to mount the Light Trap Top, while the Lower Stringer will be used to mount the Light Trap Bottom. Below the Light Trap Profile, the Support Stringer will be used for mounting of the diagonal support shown in Figure 1.

The distance between the Upper and Lower Stringers should equal the height of the profile plus 1-15/16" (Figure 2). If 2" x 4" material is used for the stringers, the distance from the top of the Lower Stringer to the top of the Support Stringer should be 7". Otherwise, the Lower Stringer and Support Stringer should be spaced to allow 8" between the mounting points of the Light Trap Bottom and Support.



# SYSTEM INSTALLATION – LTPC ASSEMBLY

## LTPC ASSEMBLY

1. Using  $\frac{1}{4}$ " x  $\frac{5}{8}$ " screws provided, attach the **Mounting Flanges** to the Light Trap Tops and Bottoms as shown in Figure 3.
2. When attaching the **Light Trap Bottom** to the Lower Stringer, be sure the under surface is even with the top of the Lower Stringer. Attach with  $\frac{1}{4}$ " x  $1\frac{1}{2}$ " screws provided.
3. Attach one end of the **supports** to the Light Trap Bottom as shown in Figure 4 and 4a.
4. Level the surface of the Light Trap Bottom, then attach the other end of the **support** to the Support Stringer using the  $\frac{1}{4}$ " x  $1\frac{1}{2}$ " screws provided.

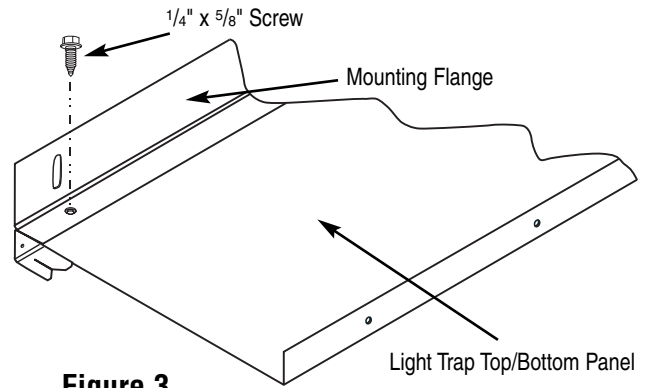


Figure 3

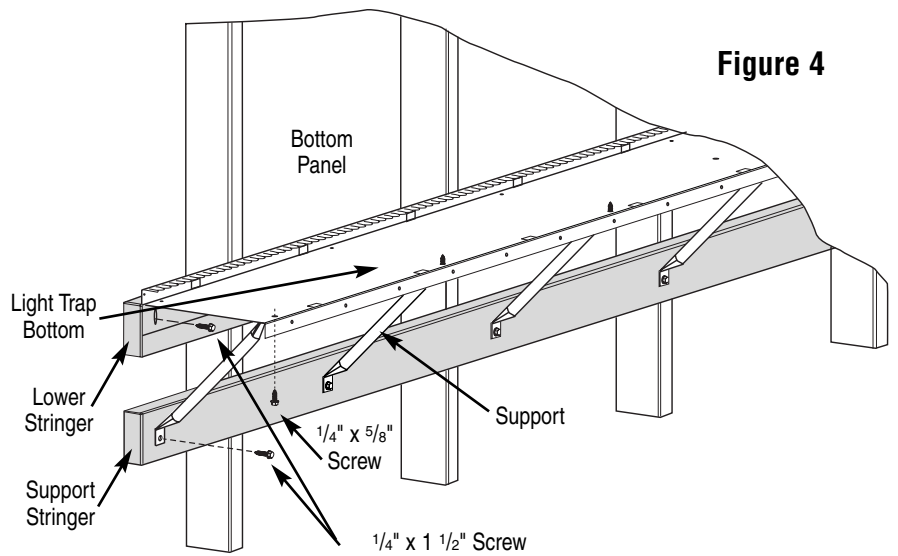


Figure 4

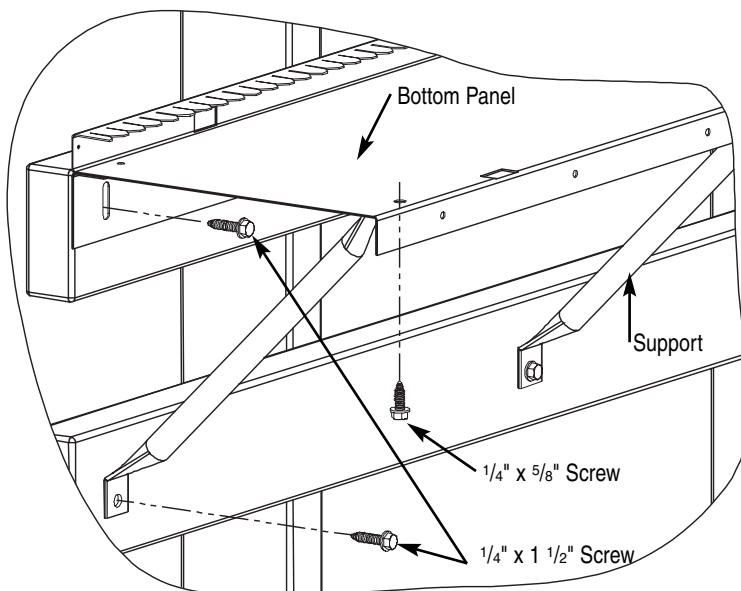
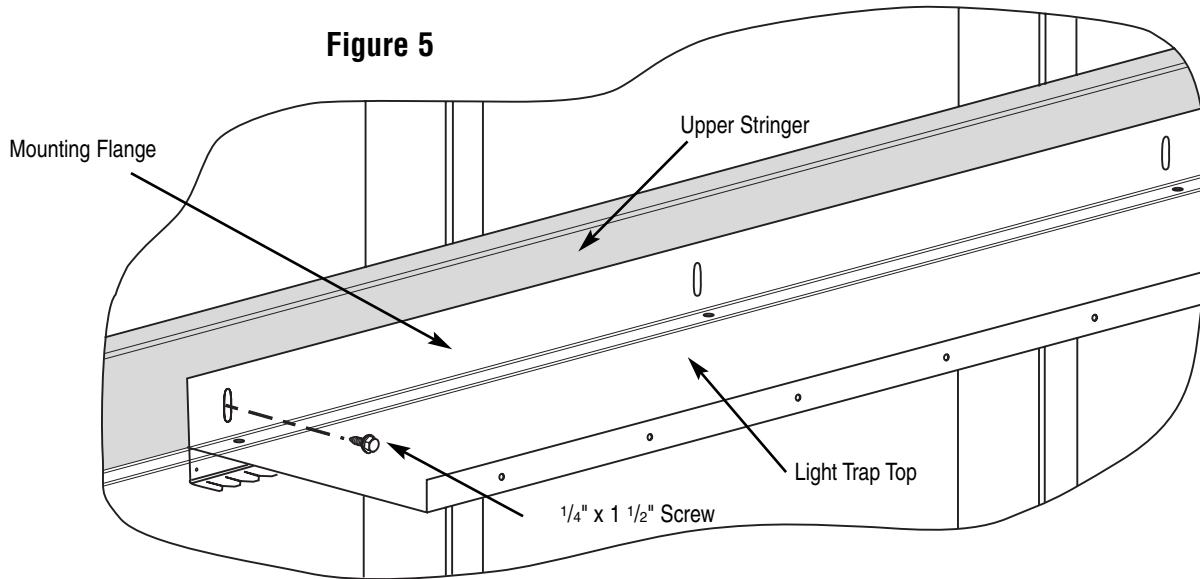


Figure 4a

## SYSTEM INSTALLATION – LTPC ASSEMBLY (continued)

Figure 5



5. Using the  $\frac{1}{4}$ " x  $1\frac{1}{2}$ " screws provided, mount the **Light Trap Top** to the Upper Stringer, allowing enough space from the Light Trap Top and Bottom for the length of the profile plus  $\frac{1}{8}$ ". This eases the installation of the Light Trap Profile without a tight fit during assembly (see Figure 5).

**IMPORTANT NOTE:** *The Light Trap Top and Bottom should be mounted in a manner that will allow the profile to be plumb when installed.*

6. **CAUTION!** If wire mesh or some other material (installed by others) restricts access to the wall side of the light trap assembly, the light trap spacer and spacer retainers can be installed on the wall side of the light trap assembly prior to installing the profiles. This applies when using 48" and larger profiles only. Refer to Step 9 on page 7 and Step 10 on page 8.

To install the Light Trap Profiles, start at one end and insert the profiles into the slots in the Light Trap Top and Bottom as shown in Figures 6 and 7.

**IMPORTANT NOTE:** *When installing the last of the profiles, be sure to leave one slot open at the end (see Figure 13). This will be necessary for installing the corner trim.*

Figure 6

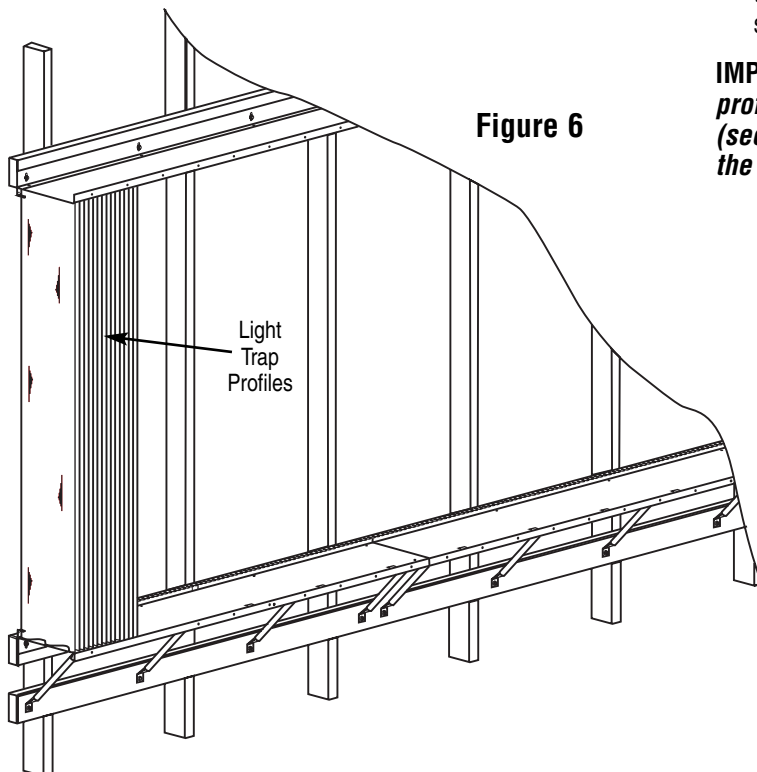
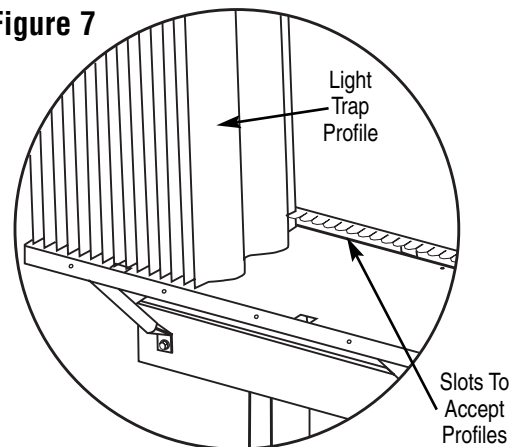


Figure 7



## SYSTEM INSTALLATION – LTPC ASSEMBLY (continued)

7. Install the 12" or 15" Light Trap Profile **Retainers** on the Light Trap Top and Bottom panels to hold the profiles in place as shown in Figures 8 and 9. This should be done periodically while installing the profiles.

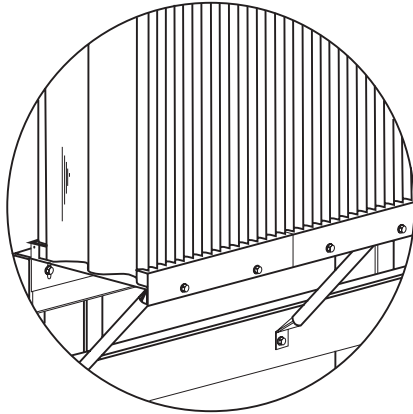


Figure 8

8. After all the Light Trap Profiles are installed in a section, loosen the screws holding the Light Trap Top, allowing it to be lowered onto the top surface of the profiles. Once lowered, re-tighten the screws.

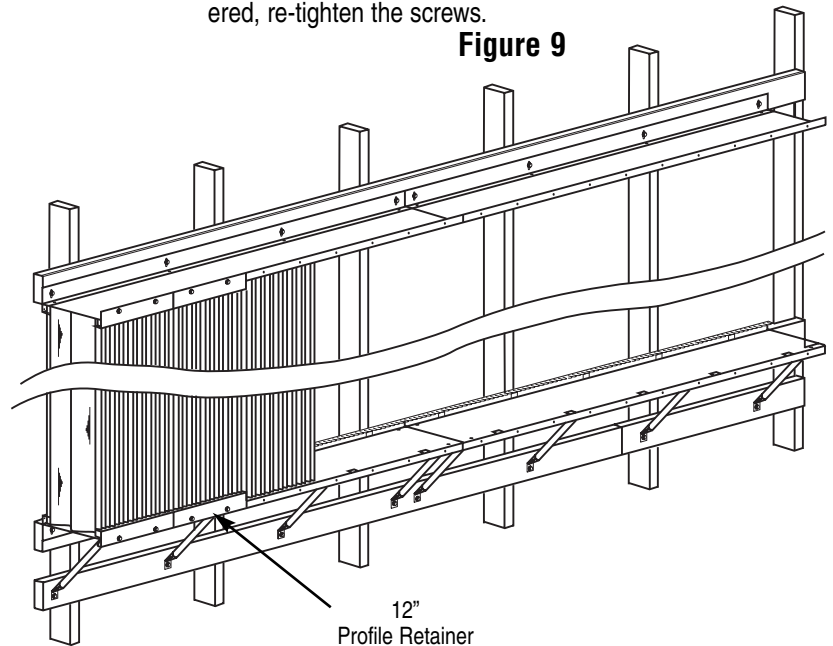


Figure 9

## SYSTEM INSTALLATION – 48", 60" OR 72" PROFILES

### 48", 60" or 72" Profiles

If you are installing a 48", 60" or 72" light trap, you will have Spacers and Spacer Retainers as shown in Figure 10 and 11.

9. If installing the 48" Light Trap, press Light Trap Spacers into the middle of the inlet side of the profile, as well as the middle of the outlet side of the profile. If installing the 60" or 72" light trap, press Light Trap Spacers into the profile approxi-

mately one third of the way from the Light Trap Top and Bottom on the inlet and outlet sides of the profile (see Figure 10). Make sure that all slots in the Spacer are occupied by profiles. The ends of the Spacers should line up with both ends of the Light Trap Tops and Light Trap Bottoms.

**IMPORTANT NOTE:** *The leg of the Light Trap Spacer should point down to insure that there is no collection of debris.*

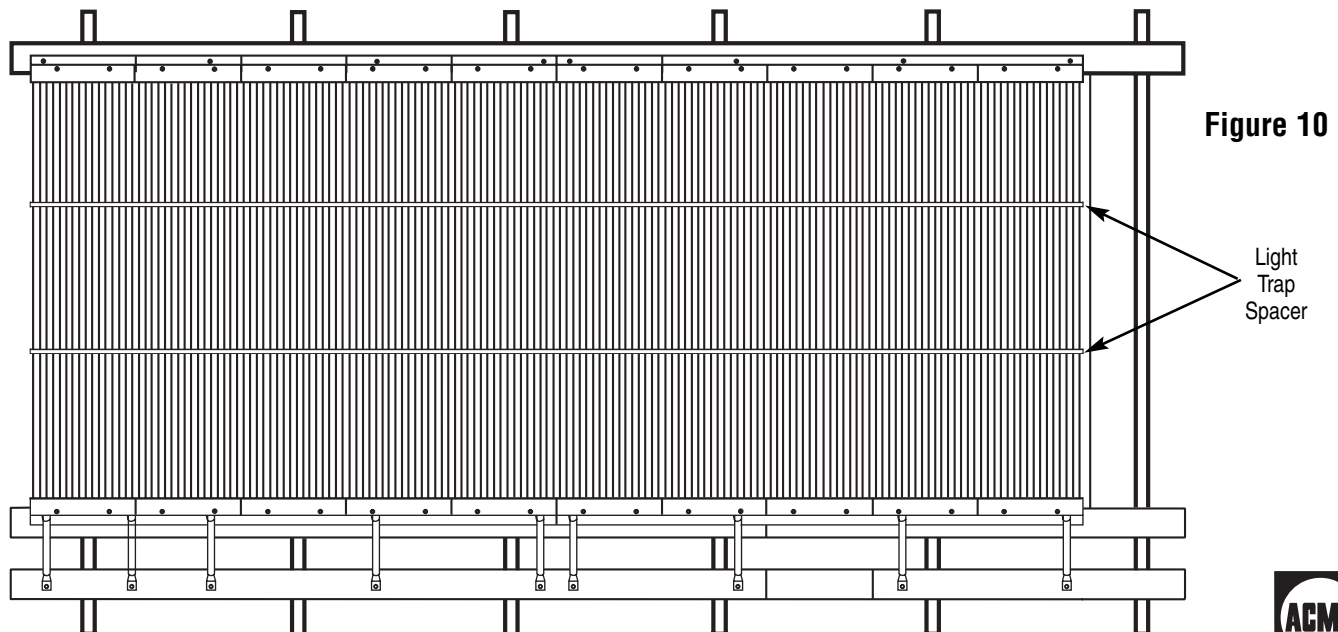


Figure 10

Light  
Trap  
Spacer

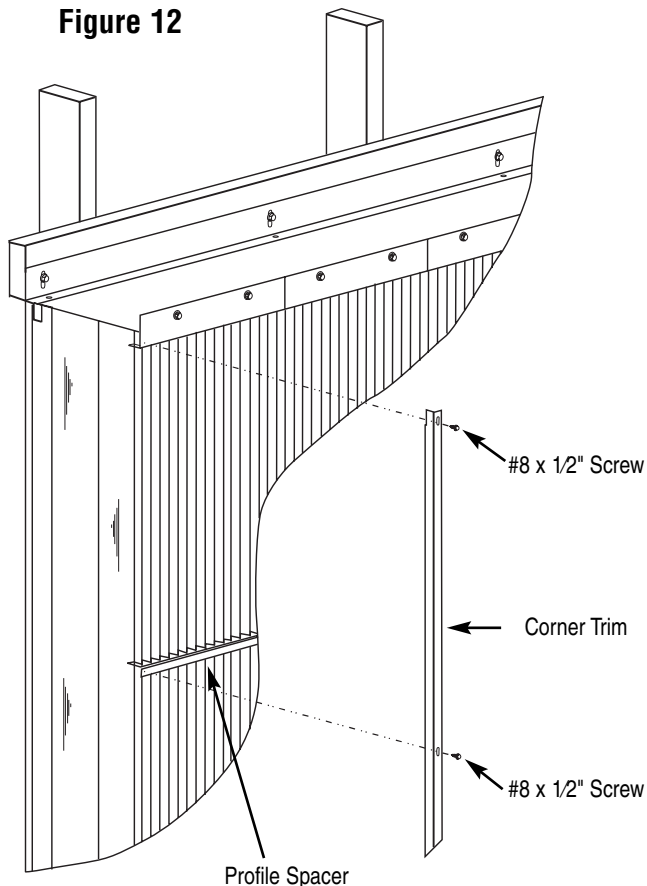
# SYSTEM INSTALLATION – FINISHING THE ENDS

10. Install the **Spacer Retainers** at the ends of the Light Trap Spacers (see Figure 11). The Spacer Retainer has holes that connect to the Spacers and to the Light Trap Top and Bottom on the wall side (outlet) of the assembly. On the outside of the assembly (inlet side), the Spacer Retainer Holes connect to the spacers and profile retainers at approximately the same distance at the top and bottom. Once the holes are aligned, secure with #8 x 1/2" self-drilling screws provided.

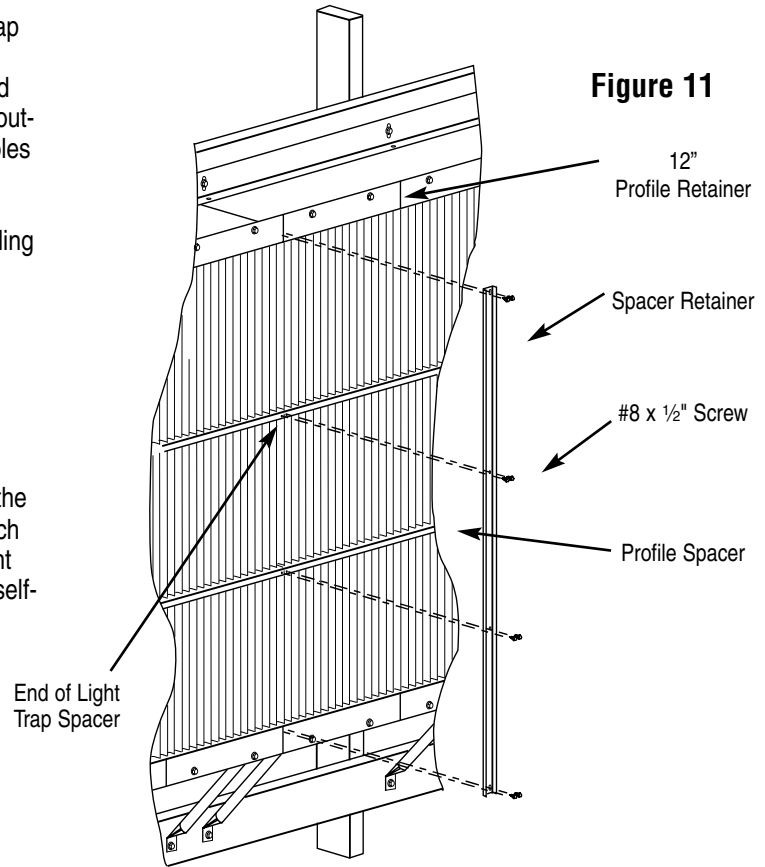
## Finishing the Ends

Corner Trim is provided to block the light at the ends of the assembly and to provide a surface for a vertical 2" x 4" trim strip between the Stringers.

11. When the light trap wall is completed, finish the ends of the continuous Light Trap Assembly with **Corner Trim**. Attach the Corner Trim to the Light Trap Spacers and to the Light Trap Top and Bottom (see Figure 12) using the #8 x 1/2" self-tapping screws provided.

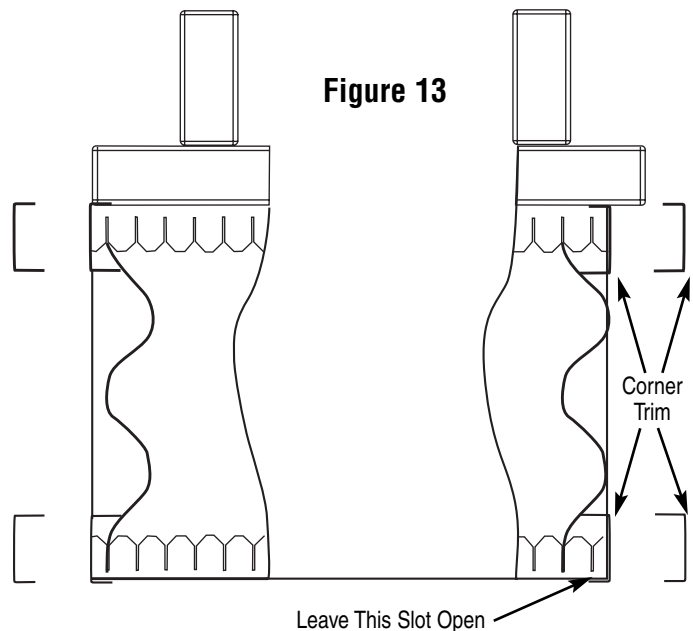


**Figure 12**



**Figure 11**

12. The last slot in the Light Trap Top and Bottom was left open (refer to Step 6). This will allow the Corner Trim with the longer flange to fit against the last remaining profile to eliminate the light on that end of the Light Trap Assembly. Secure the **Corner Trim** to the inside and outside of the assembly and the Light Trap Spacers using the #8 x 1/2" self drilling screws (see Figures 12 and 13).



**Figure 13**

