



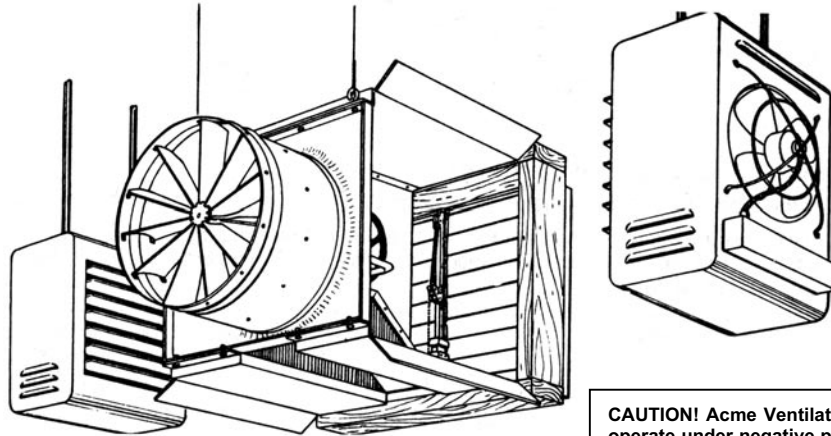
**ACME ENGINEERING &
MANUFACTURING CORP.**

P.O. Box 978
Muskogee, Oklahoma 74402
918/682-7791 FAX: 918/682-0134

FORM 610008

INSTALLATION INSTRUCTIONS

FAN-JET® HEATING ACCESSORY



CAUTION! Acme Ventilation Systems are designed to operate under negative pressure with timers and thermostats. Only heaters designed to operate within these specific conditions should be utilized with an Acme Ventilation System.

FAN-JET PERFORMANCE DATA

FAN-JET MODEL	HP	TUBE SIZE		CFM	MOTORIZED SHUTTER MODEL	FRAMED OPENING		* HEATING CAPACITY WITH HEAT-KIT BTU/HR. OUTPUT HEATER TEMP RISE OF:				DISTANCE FROM HEATER TO FAN-JET® OPENING*	
		IN	MM			IN	MM	40	50	60	70	IN	MM
RC18E6	¼	18	457	3120	WAAC2626MT	23 X 23	584 X 584	112,000	138,000	163,000	186,000	30 - 48	762 - 1219
RC24F/RCA24F	⅓	24	610	5420	WAAC3333MT	30 X 30	762 X 762	172,000	212,000	250,000	287,000	30 - 60	762 - 1524
RC30G/RCA30G	½	30	762	8550	WAAC4040MT	37 X 37	940 X 940	278,000	342,000	403,000	463,000	30 - 60	762 - 1524
RC30J/RCA30J	1	30	762	10600	WAAC4040MT	37 X 37	940 X 940	345,000	424,000	500,000	574,000	30 - 60	762 - 1524

Framed opening furnished by others.

* The output BTU rating of gas fired heaters is 80% of their input BTU rating.

The unit heater louvers should be at the same elevation as the Fan-Jet inlet opening and spaced a proper distance from it, with the axis of the unit heater discharge opening directed toward the Fan-Jet inlet opening. If this is not done, flame disturbance can result which can lead to flame impingement on the heat exchanger and eventually heat exchanger failure. It can also cause pilot outage problems leading to nuisance service calls or loss of heat in the structure.

If the Fan-Jet end of the structure is colder than the remainder of the structure, correct by adjusting one or two of the lower louvers of the heater to a downward position to divert part of the heated air to the end wall area.

CAUTION: Avoid combustion malfunctions when two heaters are used with one Fan-Jet. The minimum heater from Fan-Jet opening distance must be maintained. Both heaters must operate simultaneously, unless center baffle is used and the discharge louvers must be directed toward the top of the Fan-Jet opening.

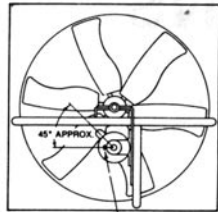
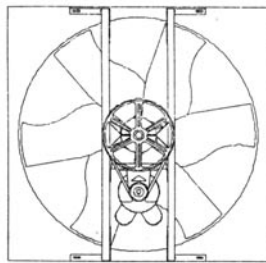
CAUTION! These units have rotating parts and safety precautions should be exercised during installation, operation and maintenance.

Notice. In cases where motor with capacitor is used, the motor base screws must be loosened and the motor housing rotated such that the capacitor is approximately 45 degrees above the horizontal position when viewing the shaft end of the motor as shown in Figure 1 on Page 2.

See CAUTION*

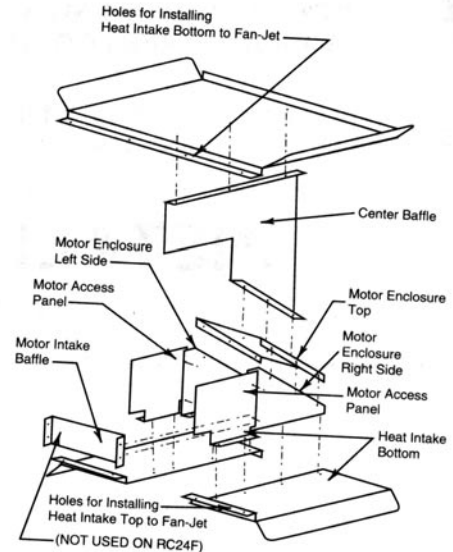
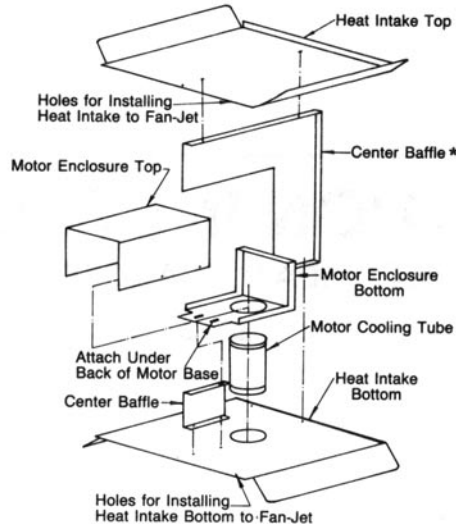
1. These instructions are intended to be used in conjunction with the installation instructions for the Fan-Jet convection tube system which comes attached to the Fan-Jet unit. Follow the location and framing in the Fan-Jet instructions and the installation instructions that come with the unit heater.
2. The horizontal struts shipped with the Fan-Jet will not be used with the heating accessory. The proper spacing of the Fan-Jet unit will be accomplished with the heat intake top and bottom pieces and the diagonal extended struts shipped with the Fan-Jet.
3. The heat shield should be assembled to the Fan-Jet unit using the appropriate exploded view (shown on page 2) as a guide.
4. The Fan-Jet unit should now be supported as indicated in items 8 and 9 of the Fan-Jet instructions, Form 610001.
5. Attach the heat shield assembly to the framed opening with the fasteners provided.
6. Continue with the installation of the tubing as directed in items 12 through 32 of the Fan-Jet Installation Instructions 610001.
The center baffle must be installed whenever two unit heaters are used with a Fan-Jet unit and are staged to operate at separate times. The baffle will prevent "blow thru" from one unit heater to the second that may result in reverse rotation of the second heater fan or may affect the pilot light of the second heater.

**RC18E6
HEAT ACCESSORY ASSEMBLY**



MOTOR BASE SCREWS

FIGURE 1



NOTICE

These instructions cover the usual installation, operation and maintenance methods for which the product(s) was designed. They do not purport to cover all details or variations in the product(s) nor to provide for every possible contingency that might be met in connection with the installation, operation and maintenance. For any departures from these instructions, or should particular problems arise which are not covered sufficiently for the purchaser's purpose, the matter should be referred to Acme Engineering and Manufacturing.

WARNING Acme products are designed and manufactured to provide reliable performance but they are not guaranteed to be 100% free of defects. Even reliable products will experience occasional failures and this possibility should be recognized by the Purchaser and all End Users. If these products are used in a life support ventilation system where failure could result in loss or injury, the Purchaser and all End Users should provide adequate back-up ventilation, supplementary natural ventilation or failure alarm system, or acknowledge willingness to accept the risk of such loss or injury.

WARNING DO NOT use in HAZARDOUS ENVIRONMENTS where fan's electrical system could provide ignition to combustible or flammable materials unless unit is specifically built for hazardous environments. Comply with all local and national safety codes including the National Electrical Code (NEC) and National Fire Protection Act (NFPA).

CAUTION Guards must be installed when fan is within reach of personnel or within seven (7) feet (2.134 m) of working level or when deemed advisable for safety.

DISCLAIMER The Company has made a diligent effort to illustrate and describe the products accurately in all Company literature; however such illustrations and descriptions are for the sole purpose of identification and do not express or imply any warranty.

LIMITED WARRANTY

WARRANTY AND DISCLAIMER: the Company extends this limited warranty to the original purchaser and warrants that products supplied by the Company, shall be free from original defects in workmanship and materials for two years from date of shipment (except for the warranty periods noted for products listed below), provided same have been properly handled, stored, installed, serviced, maintained and operated. This warranty shall not apply to products which have been altered or repaired without the Company's express authorization, or altered or repaired in any way so as, in the Company's judgment, to affect its performance or reliability, nor which have been improperly installed or subjected to misuse, negligence, or accident, or incorrectly used in combination with other substances. The Purchaser assumes all risks and liability for results of use of all products.

Evaporative cooling pads are warranted to be free of defects in materials and workmanship for a period of two years from date of shipment provided same have been properly handled, stored, installed, serviced, maintained and operated; and further, not subjected to excessive heat, corrosive agents or chemicals, or mechanical abuse that may cause tearing, crushing or undue deterioration, nor used on a system or in a manner other than that for which it was designed as explained in the product literature.

The following products are warranted to be free of defects in materials and workmanship for the periods shown from date of shipment: Acme's exclusive duplex split pillow block bearings and shaft five years, belts one year, Polyethylene tubing 90 days, AIR40 Heater warranty one year, AIR40 Emitter warranty three years and DDP fan lifetime warranty on its propeller, cone, and housing.

LIMITATION OF REMEDY AND DAMAGES: All claims under this warranty must be made in writing and delivered to P. O. Box 978, Muskogee, Oklahoma, 74402, within 15 days after discovery of the defect and prior to the expiration of two years from the date of shipment by the Company of the product claimed defective, and Purchaser shall be

barred from any remedy if Purchaser fails to make such claim within such period.

Within 30 days after receipt of a timely claim, the Company shall have the option either to inspect the product while in Purchaser's possession or to request Purchaser to return the product to the Company at Purchaser's expense for inspection by the Company. The Company shall replace, or at its option repair, free of charge, any product it determines to be defective, and it shall ship the repaired or replacement product to Purchaser F.O.B. point of shipment; provided, however, if circumstances are such as in the Company's judgment to prohibit repair or replacement to remedy the warranted defects, the Purchaser's sole and exclusive remedy shall be a refund to the Purchaser of any part of the invoice price, paid to the Company, for the defective product or part.

The Company is not responsible for the cost of removal of the defective product or part, damages due to removal, or any expenses incurred in shipping the product or part to or from the Company's plant, or the installation of the repaired or replaced product or part.

The warranties set forth above do not apply to any components, accessories, parts or attachments manufactured by other manufacturers; such being subject to the manufacturer's warranty, if any. To the extent not prohibited by the manufacturer's warranty, the Company shall pass through to Purchaser such manufacturer's warranty.

THE COMPANY'S WARRANTY IS IN LIEU OF ALL OTHER WARRANTIES, EXPRESS OR IMPLIED, ARISING BY LAW OR OTHERWISE, INCLUDING WITHOUT LIMITATION THE IMPLIED WARRANTIES OF MERCHANTABILITY AND FITNESS FOR A PARTICULAR PURPOSE, WHICH ARE HEREBY EXPRESSLY DISCLAIMED AND WAIVED. THIS WARRANTY CONSTITUTES THE COMPANY'S SOLE AND EXCLUSIVE WARRANTY FOR DEFECTIVE GOODS AND PURCHASER'S SOLE AND EXCLUSIVE REMEDY FOR DEFECTIVE PRODUCTS.

No employee, agent, dealer, or other person is authorized to give any warranties on behalf of the Company or to assume for the Company any other liability in connection with any of its products except in writing and signed by an officer of the Company.

REPLACEMENT PARTS If replacement parts are ordered, purchaser warrants that the original components in which these replacement parts will be placed are in satisfactory working condition, and

when said replacement parts are installed, the resultant installation will operate in a safe manner, at speeds and temperatures for which the original product was purchased.

TECHNICAL ADVICE AND RECOMMENDATIONS, DISCLAIMER: Notwithstanding any past practice or dealings or any custom of the trade, sales shall not include the furnishing of technical advice or assistance or system design. Any such assistance shall be at the Company's sole option and may be subject to additional charge.

The Company assumes no obligation or liability on account of any recommendations, opinions or advice as to the choice, installation or use of products. Any such recommendations, opinions or advice are given and shall be accepted at Purchaser's and End User's risk and shall not constitute any warranty or guarantee of such products or their performance.

LIMITATION OF LIABILITY The cumulative liability of the Company to the Purchaser and any other persons for all claims in any way relating to or arising out of the products, including, but not limited to, any cause of action sounding in contract, tort, or strict liability, shall not exceed the total amount of the purchase price paid for those products which are the subject of any such claim. This limitation of liability is intended to apply without regard to whether other provisions of this agreement have been breached or have proven ineffective even if the Company has been advised of the possibility of such claims or demands. In no event shall the Company be liable to the Purchaser or any other person for any loss of profits or any incidental, special, exemplary, or consequential damages for any claims or demands brought by the Purchaser or such other persons.

INDEMNITY The Company's maximum liability to Purchaser and to any end user is as set forth above. The Company makes no warranty to anyone for any products not manufactured by the Company and shall have no liability for any use or installation of any products (whether manufactured by the Company or other manufacturers) not specifically authorized by this sale. Purchaser acknowledges various warnings by the Company regarding the products and its installation and use. If the Company incurs any claims, lawsuits, settlements, or expenses (including attorney fees) for any loss, injury, death or property damage including, but not limited to, claims arising out of the Purchaser's or any end user's installation or use of the products, the Purchaser shall indemnify and hold the Company harmless.



Acme Eng. & Mfg. Corp.
P.O. Box 978
Muskogee, OK 74402
918/682-7791 Fax:
918/682-0134
www.acmefan.com